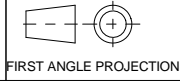


# A2 INSTALLATION DRAWING

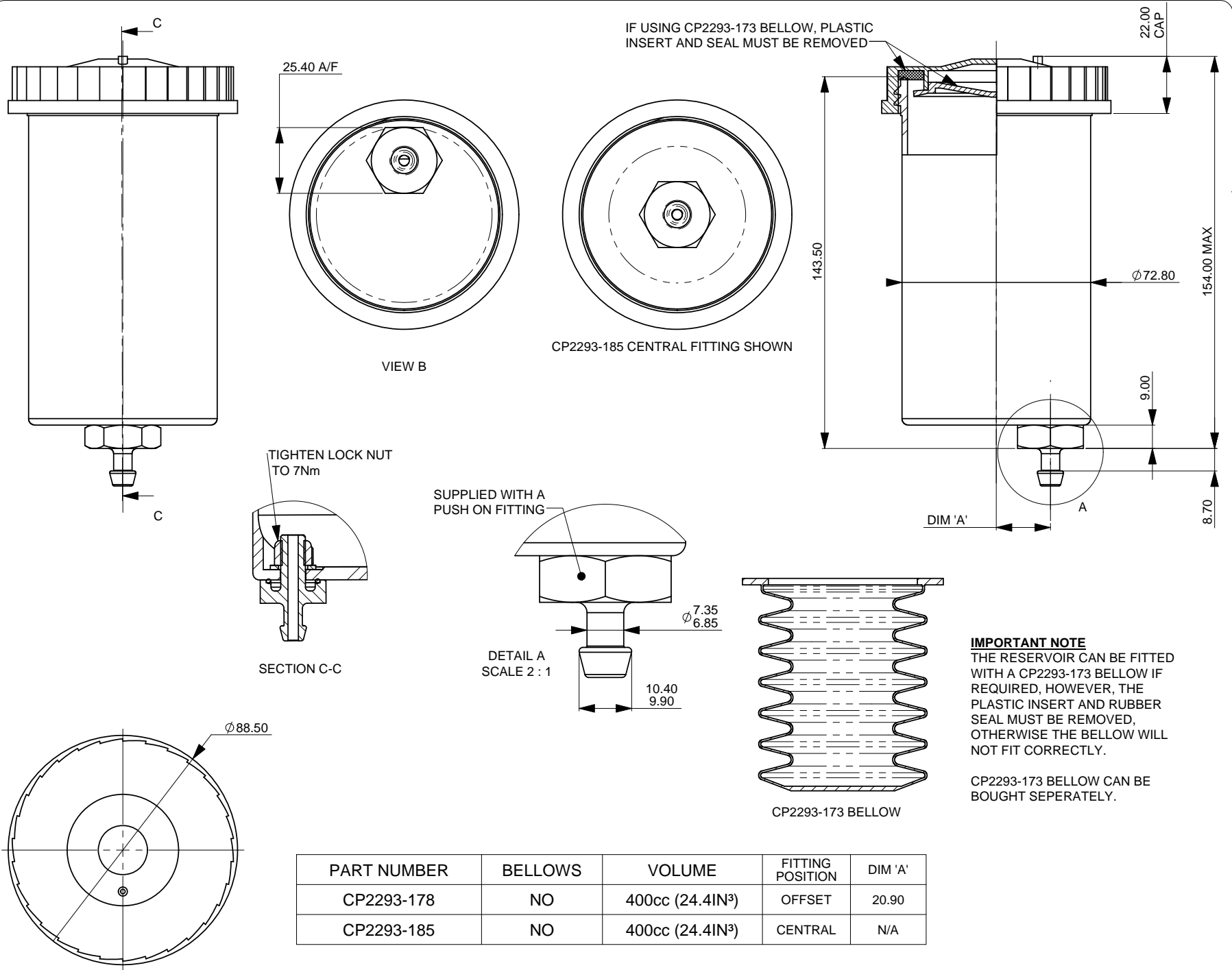
If this document is printed in hardcopy, it is for information use only and therefore is not subject to updating controls. Always refer to viewer for latest issue.



THIS DRAWING IS CONFIDENTIAL AND IS SUPPLIED ON THE EXPRESS CONDITION THAT IT SHALL NOT BE LOANED OR COPIED OR DISCLOSED TO ANY OTHER PERSON OR USED FOR ANY OTHER PURPOSE WITHOUT THE WRITTEN CONSENT OF AP RACING LTD.



**AP Racing**  
 Wheler Road  
 Coventry  
 CV3 4LB  
 Tel: +44 024 7663 9595  
 Fax: +44 024 7663 9559  
 e-mail: sales@ap racing.co.uk  
 Web site: http://www.ap racing.com



Issue No.		Alterations		Zone	Initials	
Date & No.	Particulars			#		
1	11/12/17 B7821	FIRST ISSUE			#	DW
2	20/02/2018	HEIGHT DIMENSIONS CORRECTED AND ADDED.			#	CDA
3	12/03/18 B7876_01	CP2293-185 ADDED VIEW ADDED			9C	SGW
4	12/04/18 B7876_02	CP2293-173 BELLOW OPTION ADDED			C7	SGW
5	26/09/18 B7944	TORQUE SPEC ADDED TO LOCK NUT			E3	BAT

PART NUMBER	BELLOWS	VOLUME	FITTING POSITION	DIM 'A'
CP2293-178	NO	400cc (24.4IN <sup>3</sup> )	OFFSET	20.90
CP2293-185	NO	400cc (24.4IN <sup>3</sup> )	CENTRAL	N/A

SCALE 1:1	SHEET 1 OF 1
DRAWN	Dan Woodcock
APPROVED	
DERIVED FROM	CP2293-162
TITLE RESERVOIR ASSEMBLY PUSH-ON FITTING	
DRG NO.	CP2293-178CD