

# A1 INSTALLATION DRAWING

IF THIS DOCUMENT IS PRINTED IN HARDCOPY, IT IS FOR INFORMATION USE ONLY AND THEREFORE IS NOT SUBJECT TO UPDATING CONTROLS. ALWAYS REFER TO SOLIDWORKS VIEWER FOR LATEST ISSUE

FIRST ANGLE PROJECTION

THIS DRAWING IS CONFIDENTIAL AND IS SUPPLIED ON THE EXPRESS CONDITION THAT IT SHALL NOT BE LOANED OR COPIED OR DISCLOSED TO ANY OTHER PERSON OR USED FOR ANY OTHER PURPOSE WITHOUT THE WRITTEN CONSENT OF AP RACING LTD.

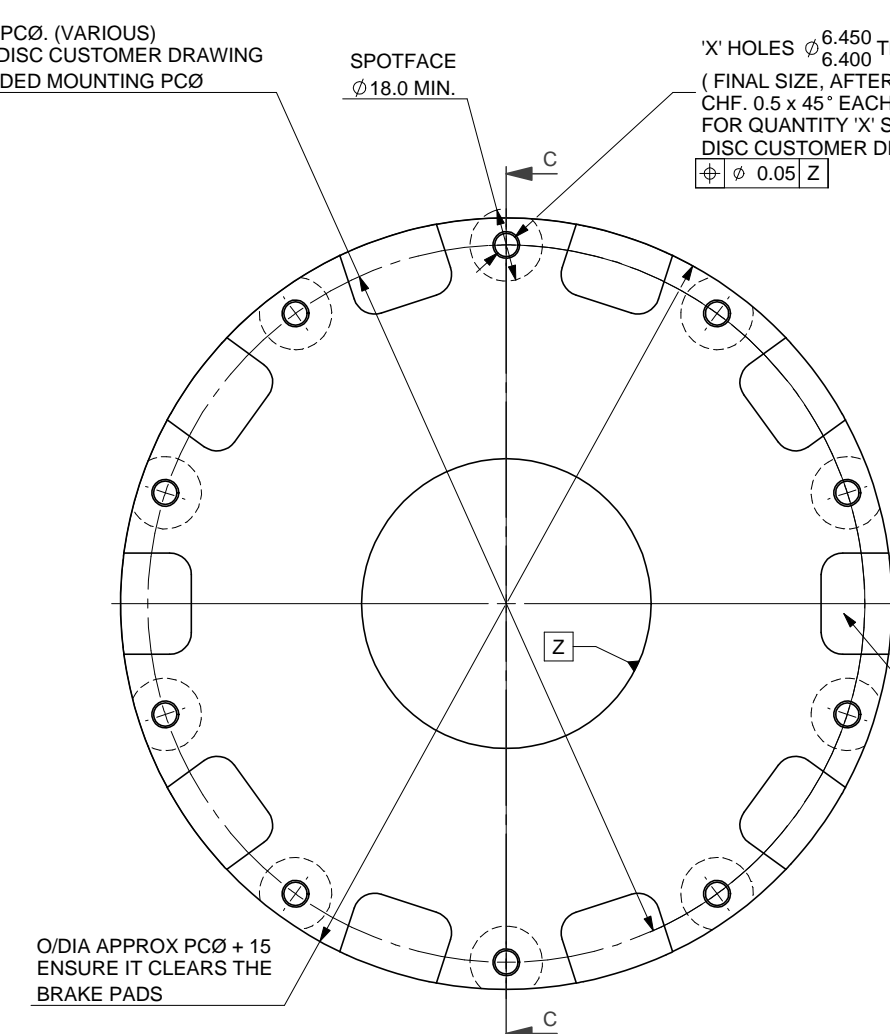
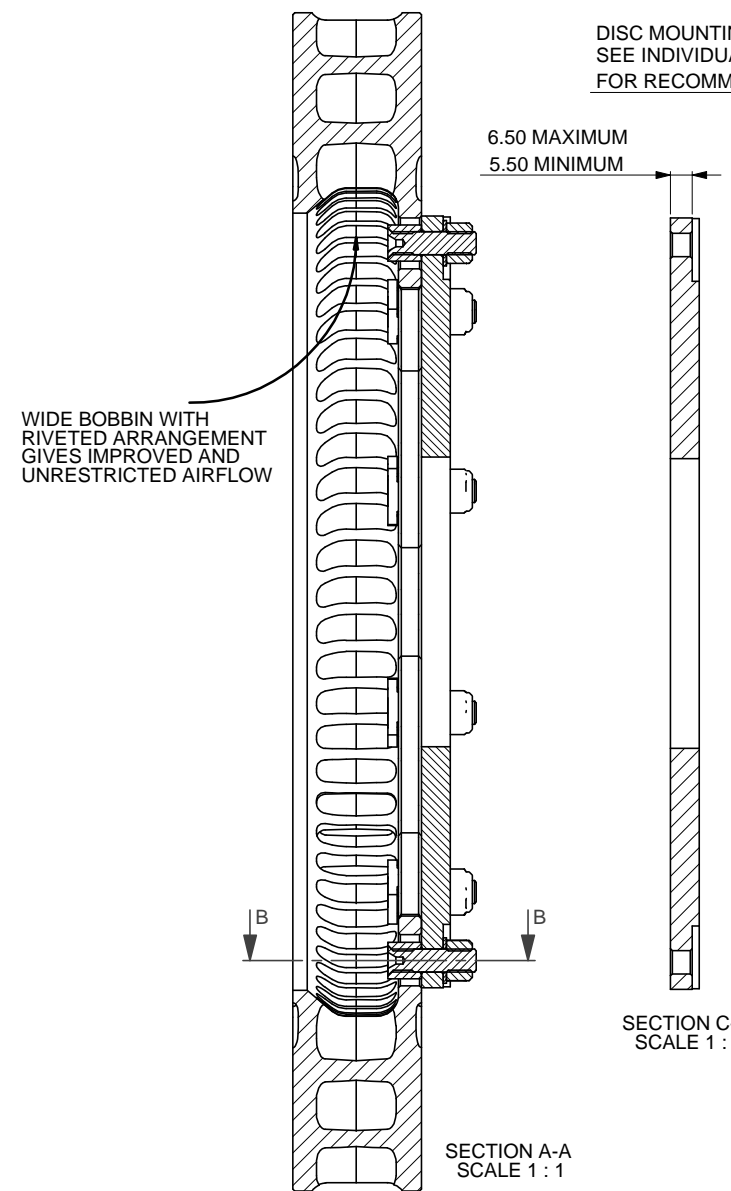


AP Racing  
Wheler Road  
Coventry  
CV3 4LB

Tel: +44 (0) 24 7663 9595  
Fax: +44 (0) 24 7663 9559  
e-mail: engineering@apracing.co.uk  
Web site: http://www.apracing.com

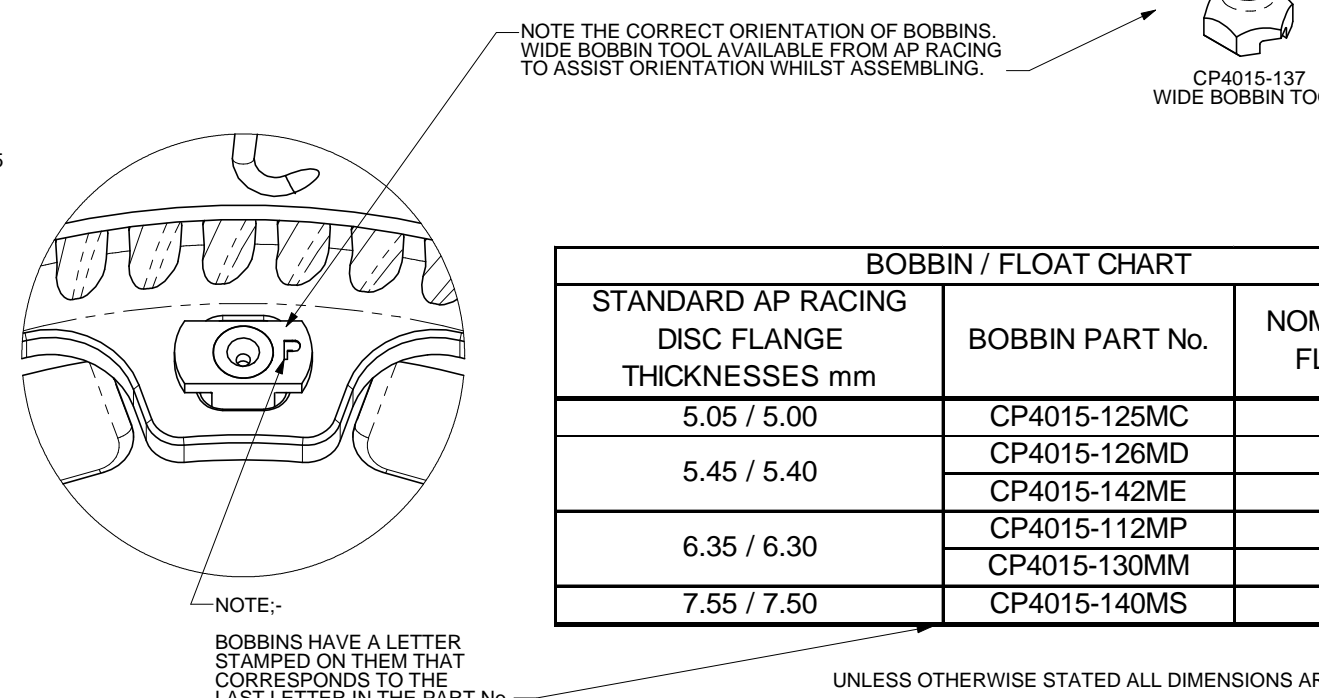
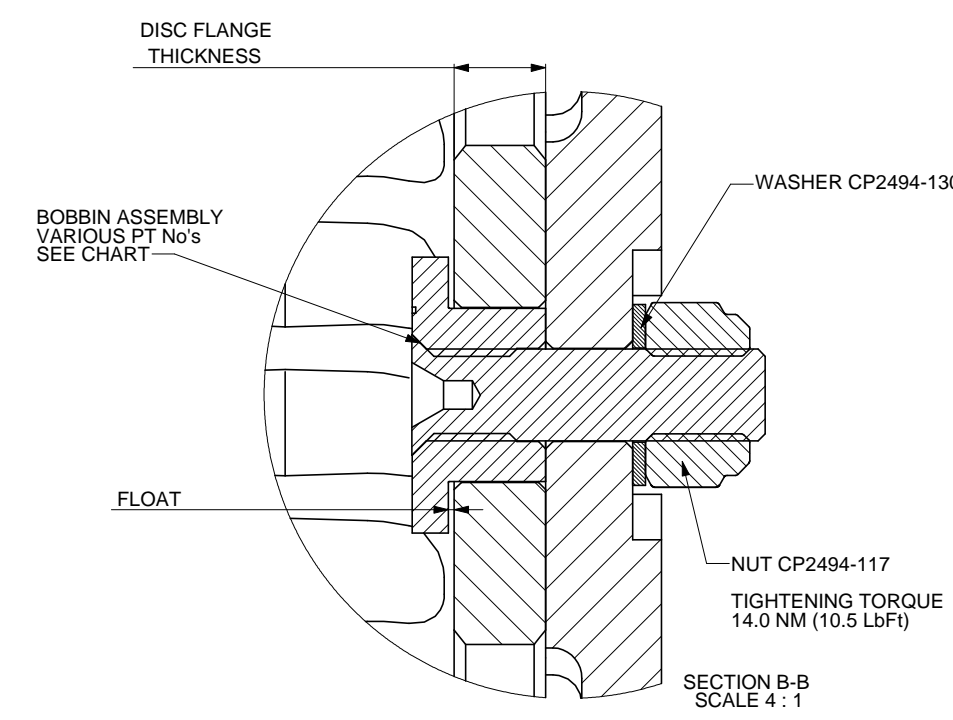
© AP Racing Ltd. 2005

Issue No.	Alterations		Zone	Initials
	Date & No.	Particulars		
1	09/02/06 B4477	FIRST ISSUE	#	DRA
2	04/07/06 B4592	WIDE BOBBIN TOOL ADDED. NOTE REF FLOW ADDED.	#	DRA



IT MAY BE NECESSARY TO ARRANGE CUT-OUTS AS ILLUSTRATED TO ENCOURAGE DISC COOLING ON THE BELL SIDE OF THE DISC. SEE AP RACING CATALOGUE FOR GUIDANCE ON DISC COOLING AND OTHER ADVICE ON DISCS.

MOUNTING BELL DIMENSIONS TO SUIT AP RACING DISCS AND BOBBINS. ALL OTHER DIMENSIONS ARE AT THE DISCRETION OF THE CUSTOMER.



STANDARD AP RACING DISC FLANGE THICKNESSES mm	BOBBIN PART No.	NOMINAL DISC FLOAT mm
5.05 / 5.00	CP4015-125MC	0.4
5.45 / 5.40	CP4015-126MD	0.4
	CP4015-142ME	0.2
6.35 / 6.30	CP4015-112MP	0.4
	CP4015-130MM	0.2
7.55 / 7.50	CP4015-140MS	0.4

UNLESS OTHERWISE STATED ALL DIMENSIONS ARE IN mm

SCALE 2:1	SHEET 1 OF 1
DRAWN	D.ARROWSMITH
APPROVED	
DERIVED FROM	
TITLE GENERIC INSTALLATION DRG ( WIDE BOBBIN TYPE )	
DRG NO.	CP2494-2010CD