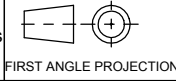


A2 INSTALLATION DRAWING

If this document is printed in hardcopy, it is for information use only and therefore is not subject to updating controls. Always refer to viewer for latest issue.



THIS DRAWING IS CONFIDENTIAL AND IS SUPPLIED ON THE EXPRESS CONDITION THAT IT SHALL NOT BE LOANED OR COPIED OR DISCLOSED TO ANY OTHER PERSON OR USED FOR ANY OTHER PURPOSE WITHOUT THE WRITTEN CONSENT OF AP RACING LTD.

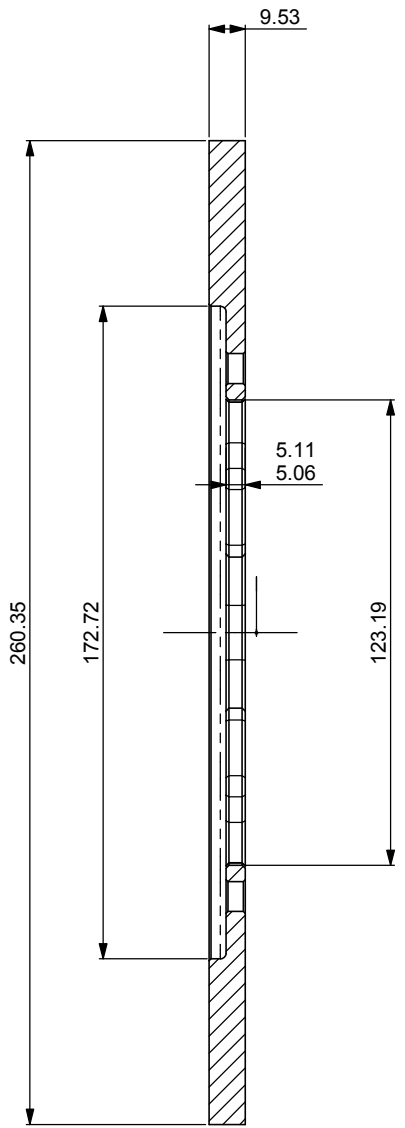


© AP Racing Ltd. 2003

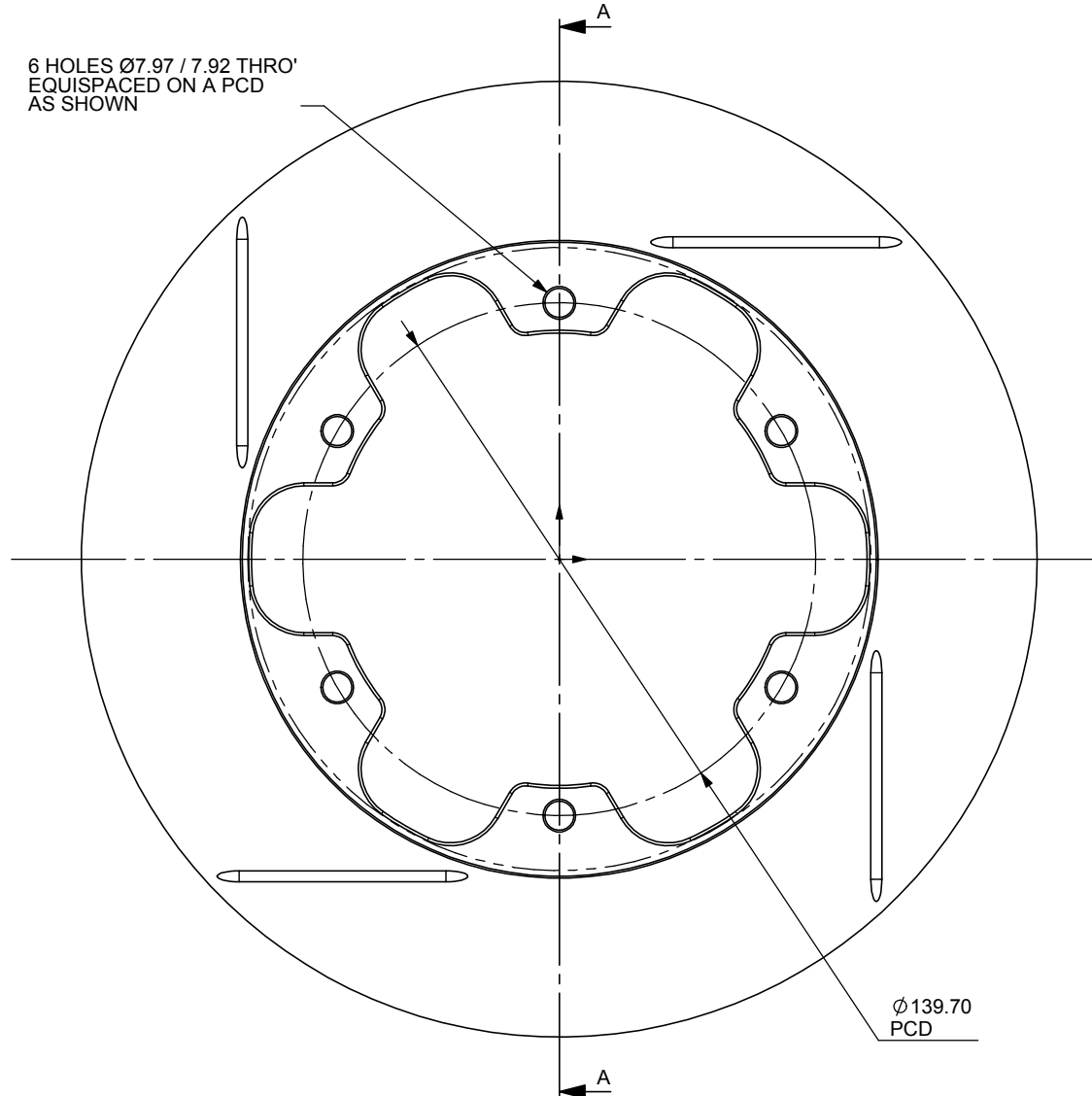
AP Racing
Wheler Road
Coventry
CV3 4LB

Tel: +44 024 7663 9595 e-mail: sales@apracing.co.uk
Fax: +44 024 7663 9559 Web site: HTTP://www.apracing.com

Issue No.	Date & No.	Alterations		Zone	Initials
		Particulars			
1	03/03/04 B3888	FIRST ISSUE			SAT



6 HOLES Ø7.97 / 7.92 THRO'
EQUISPACED ON A PCD
AS SHOWN



APPROX WEIGHT: 2.19Kg

SCALE 1:1	SHEET 1 OF 1
DRAWN	Steve Thomas
APPROVED	
DERIVED FROM	
TITLE	
SOLID DISC 260 x 9.5	
CUSTOMER DRAWING	
DRG NO.	cp2866-229cd