

STROKE NUMBER	Ø'A'	DIMN'B'	Ø'C'	Ø'D'	DIMN'F'	DIMN'W'	'J' SLOTS	'K' HOLES	HOLE Ø'L'	'M' (P.C.D.)
CP2866-177 RH/LH	280.00	9.60	192.00	159.00	4.90 4.75	-	-	8	6.45 6.40	176.75
CP2866-178 RH/LH	277.00	9.60	192.00	159.00	4.90 4.75	-	-	8	6.45 6.40	176.75
CP2866-179 RH/LH	265.00	9.60	177.00	141.00	4.90 4.75	-	-	8	6.45 6.40	158.75
CP2866-192 RH/LH	277.00	9.60	192.00	153.70	4.85 4.80	-	8	-	-	176.75
CP2866-193 RH/LH	265.00	9.60	177.00	135.75	4.85 4.80	-	8	-	-	158.75
CP2866-194 RH/LH	280.00	9.60	192.00	149.30	4.85 4.80	-	8	-	-	169.87
CP2866-195 RH/LH	265.00	7.10	177.00	141.00	4.90 4.75	-	-	8	6.45 6.40	158.75
CP2866-196 RH/LH	300.00	9.60	206.50	171.00	4.80 4.40	-	-	8	6.45 6.40	189.00
CP2866-197 RH/LH	280.00	9.65	206.00	176.00	4.80 4.40	-	-	8	6.45 6.40	190.00
CP2866-200 RH/LH	295.00	10.00	192.00	159.00	4.90 4.75	-	-	8	6.45 6.40	176.75
CP2866-201 RH/LH	277.60	9.60	187.40	149.10	4.85 4.80	-	8	-	-	171.32
CP2866-203 RH/LH	277.60	9.60	197.60	159.30	4.85 4.80	-	8	-	-	181.52
CP2866-204 RH/LH	254.00	9.70	166.00	134.00	4.90 4.75	-	-	8	6.45 6.40	151.00
CP2866-205 RH/LH	247.70	7.10	169.7	134.00	7.00 6.85	-2.40	-	8	6.45 6.40	151.00
CP2866-213 RH/LH	304.00	9.60	216.00	173.00	4.85 4.80	-	10	-	-	194.83
CP2866-214 RH/LH	265.00	8.00	189.00	141.00	4.90 4.75	-	-	8	6.45 6.40	158.75
CP2866-216 RH/LH	300.00	8.00	221.20	184.00	4.90 4.75	-	-	8	6.45 6.40	200.00
CP2866-217 RH/LH	304.00	9.60	216.00	186.50	4.90 4.75	-	-	10	6.45 6.40	200.00
CP2866-219 RH/LH	292.60	9.60	203.95	169.00	4.90 4.75	-	-	10	6.45 6.40	186.00

IF THIS DOCUMENT IS PRINTED IN HARDCOPY, IT IS FOR INFORMATION ONLY AND THEREFORE NOT SUBJECT TO UPDATING CONTROLS. ALWAYS REFER TO VIEWSTATION FOR THE LATEST ISSUE.

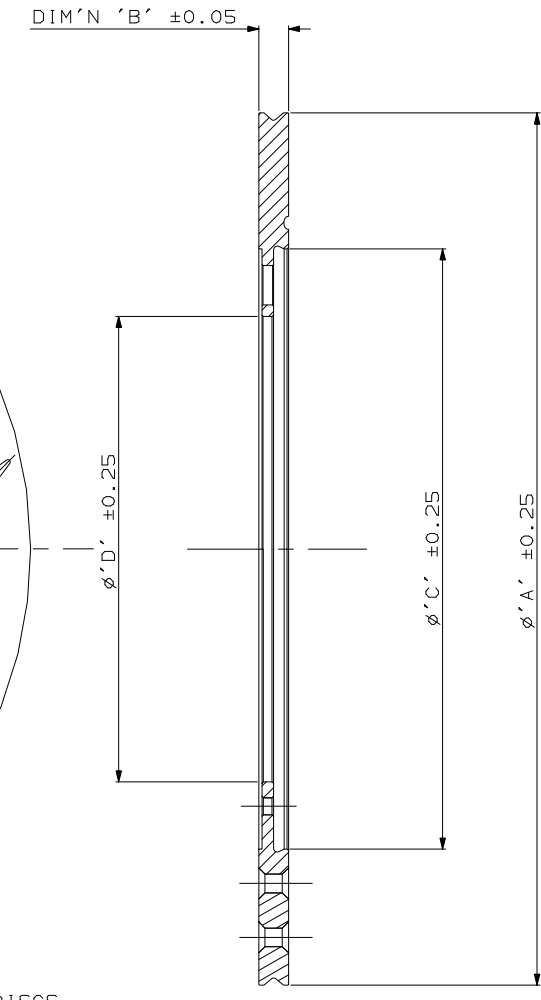
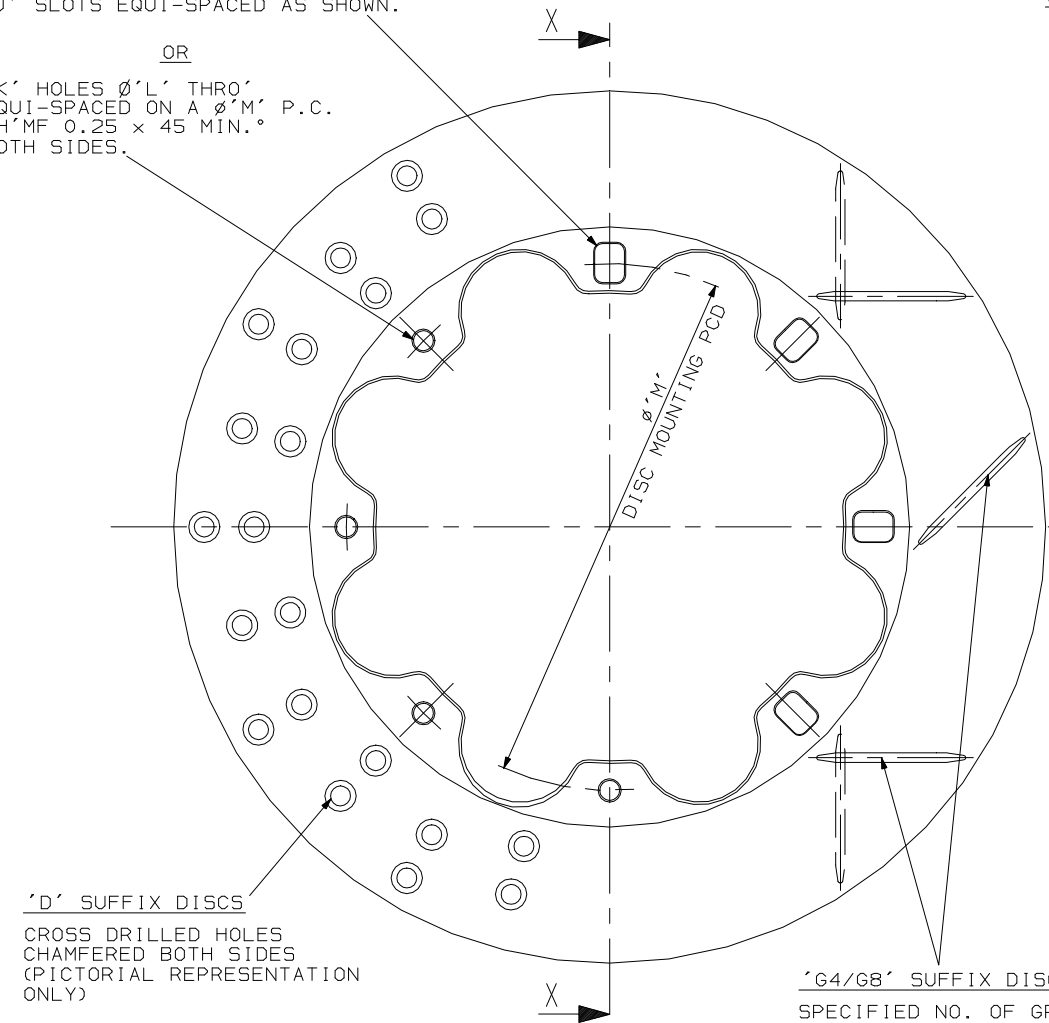
FIRST ANGLE PROJECTION DO NOT SCALE

THIS DRAWING IS CONFIDENTIAL AND IS SUPPLIED ON THE EXPRESS CONDITION THAT IT SHALL NOT BE LOANED OR COPIED OR DISCLOSED TO ANY OTHER PERSON OR USED FOR ANY PURPOSE WITHOUT THE WRITTEN CONSENT OF AP RACING

AP RACING YEAR 2002

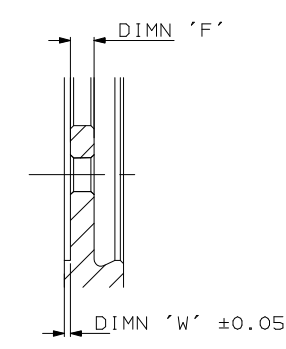
AP RACING

'J' SLOTS EQUI-SPACED AS SHOWN.
OR
'K' HOLES Ø'L' THRO' EQUI-SPACED ON A Ø'M' P.C. CH'MF 0.25 x 45 MIN.° BOTH SIDES.



'D' SUFFIX DISCS
CROSS DRILLED HOLES CHAMFERED BOTH SIDES (PICTORIAL REPRESENTATION ONLY)

'G4/G8' SUFFIX DISCS
SPECIFIED NO. OF GROOVES (PICTORIAL REPRESENTATION ONLY)



NOTE:-
IF THE VALUE OF W IN THE CHART IS POSITIVE IT MEANS THE STEP IS INWARDS AS SHOWN.
IF THE VALUE IS NEGATIVE IT MEANS THE STEP IS OUTWARDS.

ENLARGED VIEW OF FLANGE

SUFFIX TO DISC PART NUMBERS :-

SUFFIX	DETAILS
P	PLAIN (NO GROOVES OR HOLES)
D	CROSS DRILLED (HOLES CHAMFERED)
G8	GROOVED ONLY (DIGIT SPECIFIES NO. OF GROOVES PER FACE) EG. G4 SPECIFIES 4 GROOVES PER FACE

TEST	UNLESS OTHERWISE STATED: DIMENSIONAL TOLERANCES ±0.25 ANGULAR TOLERANCES ±0°30'
MAX SURFACE FINISH:	BY ANY METHOD ON MACHINED SURFACES WITHOUT MATERIAL REMOVAL
DIMENSIONS IN MILLIMETERS	✓ = μm (Ra) ✓ = μm (Rz) ✓ = μm (Rt)
DRAWING TO B.S.308.	SHEET SIZE 27" x 40"
TITLES	SCALE 1:1
TRANSLATION SHEET NO(S)	SHEET NO. TOTAL 1 OF 1

ISSUE NO.	DATE & NO.	ALTERATIONS PARTICULARS	CHK'D
1	OCT '97 B1804	FIRST ISSUE	
2	27/02/01 B2988	CP2866-214 ADDED	RLB
3	15/05/01 B2904 B3086	CP2866-216 ADDED CP2866-217 ADDED	DRA
4	15/01/02 B3246	CP2866-219 ADDED	JAH
5	09/04/02 B3330	FLANGE VIEW ADDED COLUMN 'W' ADDED CP2866-201 ADDED CP2866-203 ADDED CP2866-204 ADDED CP2866-205 ADDED CP2866-213 ADDED	DRA

MATERIAL CAST IRON

TREATMENT

DRAWN STEVE OXLEY CHECKED

GENERATED FROM cp2866-9#1m

TITLE SOLID BRAKE DISC CUSTOMER MASTER DRG

PART NO. CP2866-9 CD

GROUP PART NO.

cp2866-9mcd