

A1 INSTALLATION DRAWING

IF THIS DOCUMENT IS PRINTED IN HARDCOPY, IT IS FOR INFORMATION USE ONLY AND THEREFORE IS NOT SUBJECT TO UPDATING CONTROLS. ALWAYS REFER TO SOLIDWORKS VIEWER FOR LATEST ISSUE



THIS DRAWING IS CONFIDENTIAL AND IS SUPPLIED ON THE EXPRESS CONDITION THAT IT SHALL NOT BE LOANED OR COPIED OR DISCLOSED TO ANY OTHER PERSON OR USED FOR ANY OTHER PURPOSE WITHOUT THE WRITTEN CONSENT OF AP RACING LTD.



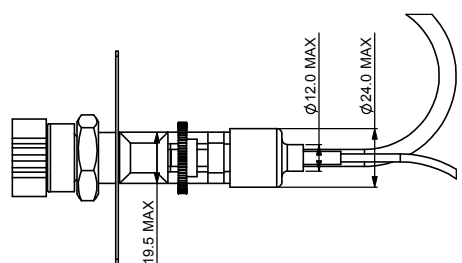
AP Racing
Wheler Road
Coventry
CV3 4LB

Tel: +44 (0) 24 7663 9595
Fax: +44 (0) 24 7663 9559
e-mail: engineering@apracings.com
Web site: <http://www.apracings.com>

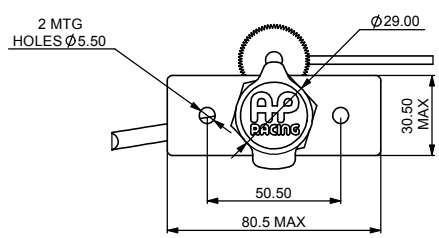
© AP Racing Ltd. 2005

CP2905--15 CABLE ADJUSTER WITH DIGITAL READ-OUT

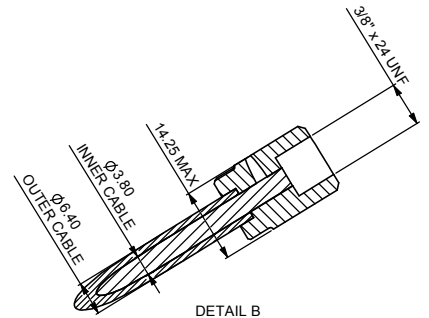
INCORPORATES THE CP2905-8 BALANCE BAR CABLE ADJUSTER. THE BALANCE BAR DIGITAL READ-OUT PROVIDES THE USER WITH AN ACCURATE INDICATION OF EXACT POSITION OF THE BALANCE BAR TO THE RIGHT OR THE LEFT OF CENTRE. THE ILLUMINATED DISPLAY IS MOUNTED IN A PLASTIC HOUSING WITH TWO FIXING POINTS FOR MOUNTING TO THE DASHBOARD AND IS SUPPLIED WITH APPROXIMATELY 18" OF CABLE TO THE TRANSDUCER. THE ADJUSTER BODY CAN BE FITTED THROUGH A Ø19.0MM HOLE IN THE DASHBOARD OR BULKHEAD ALSO USING THE MOUNTING PLATE FOR INCREASED SECURITY.



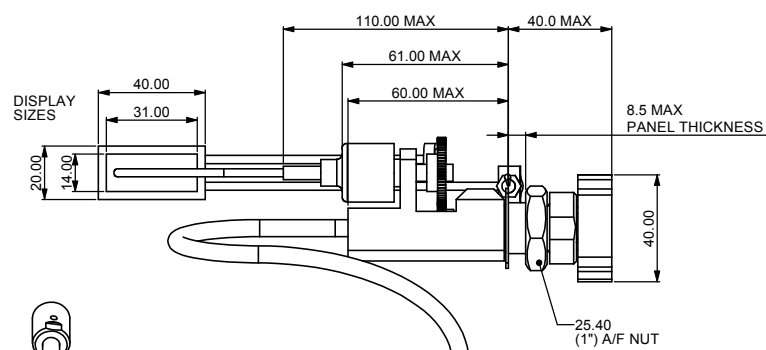
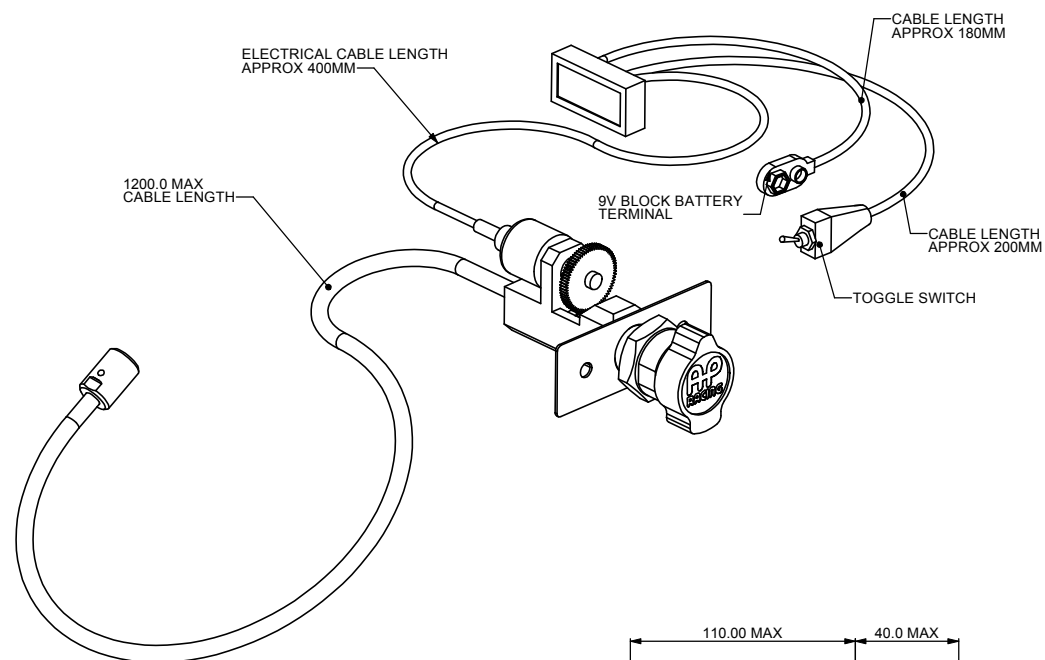
DETAIL C



DETAIL A



DETAIL B
SCALE 2 : 1



Issue No.	Alterations		Zone	Initials
	Date & No.	Particulars		
1	14/05/09 B5589	FIRST ISSUE		SAT

SCALE 1:1	SHEET 1 OF 1
DRAWN	Steve Thomas
APPROVED	
DERIVED FROM	
TITLE REMOTE CABLE ADJUSTER WITH LCD DISPLAY	
DRG NO.	CP2905-15CD