

A1 INSTALLATION DRAWING

IF THIS DOCUMENT IS PRINTED IN HARDCOPY, IT IS FOR INFORMATION USE ONLY AND THEREFORE IS NOT SUBJECT TO UPDATING CONTROLS. ALWAYS REFER TO SOLIDWORKS VIEWER FOR LATEST ISSUE



THIS DRAWING IS CONFIDENTIAL AND IS SUPPLIED ON THE EXPRESS CONDITION THAT IT SHALL NOT BE LOANED OR COPIED OR DISCLOSED TO ANY OTHER PERSON OR USED FOR ANY OTHER PURPOSE WITHOUT THE WRITTEN CONSENT OF AP RACING LTD.



AP Racing
Wheler Road
Coventry
CV3 4LB

Tel: +44 (0) 24 7663 9595
Fax: +44 (0) 24 7663 9559
e-mail: engineering@apracings.co.uk
Web site: <http://www.apracing.com>

© AP Racing Ltd. 2005

GENERAL DESCRIPTION:
4 PISTON DIFFERENTIAL BORE CALIPER TO SUIT AN IRON DISC UP TO Ø280 OD, AND A THICKNESS OF 25.4 MAX.

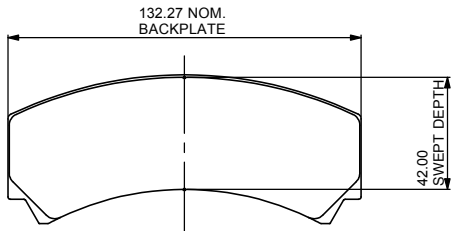
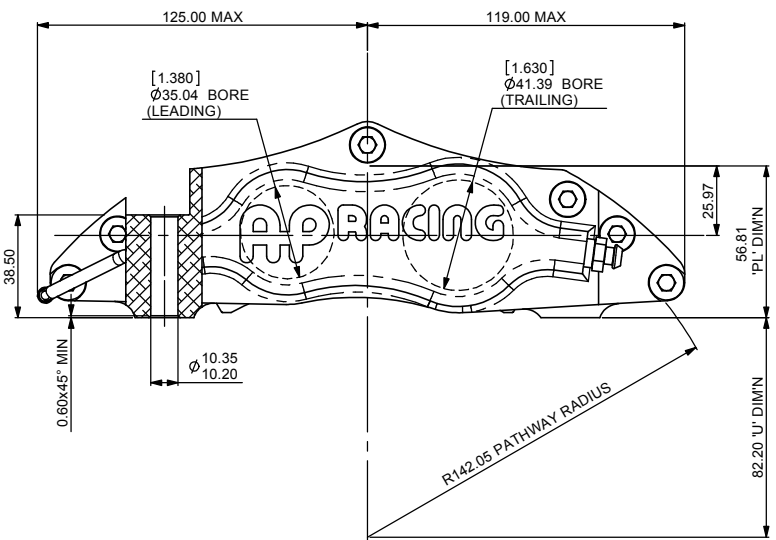
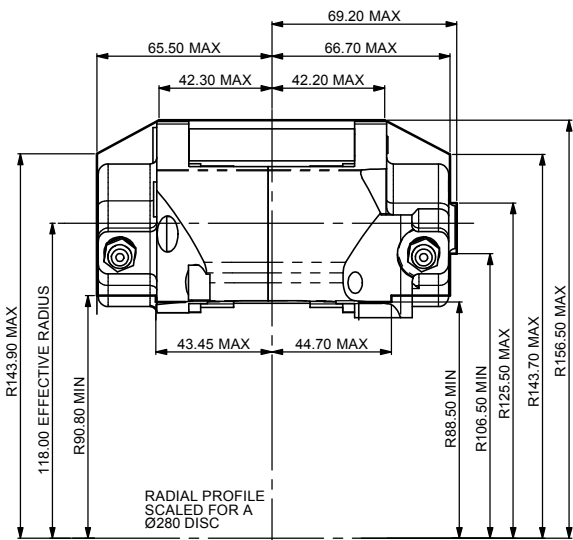
APPLICATION:
RACE - 13" WHEEL

TECHNICAL INFORMATION:
TOTAL PISTON AREA: 45.92 cm²
PISTON MATERIAL: ALUMINIUM ALLOY
BODY MATERIAL: ALUMINIUM ALLOY
ASSEMBLY WEIGHT: 1.98KG

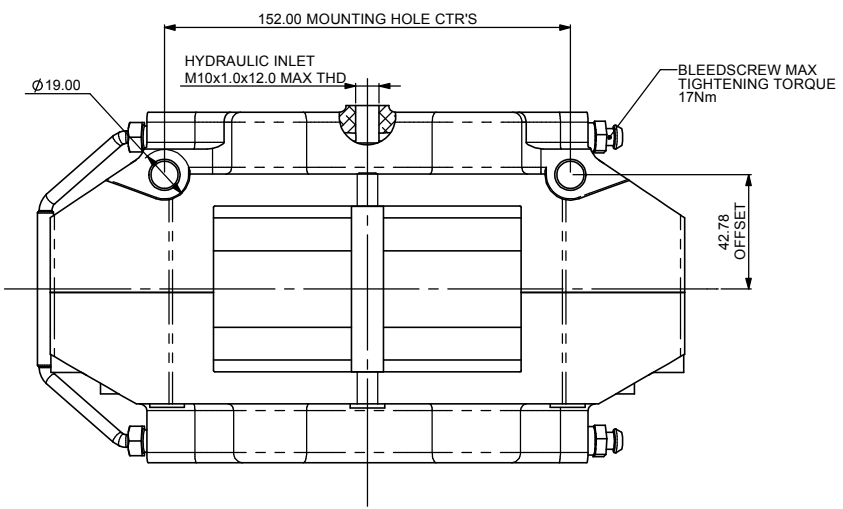
INSTALLATION INFORMATION
DISC & CALIPER MOUNTING TOLERANCES TO BE SUCH THAT THE DISC IS CENTRAL TO THE CALIPER TO WITHIN ±0.5mm.
CALIPER TO BE MOUNTED WITHIN ±15° FROM VERTICAL.
DISC DIAMETRAL CLEARANCE SHOULD BE 2.5mm NOM. FROM DISC O.D. TO PATHWAY.
BLEED SCREW MAX. TIGHTENING TORQUE 17Nm

KEY TO DIMENSIONS:
'PL': TOP OF PAD MATERIAL TO MOUNTING BOSS FACE WITH PAD SITTING DOWN ON LEDGE.
'U': WHEEL CENTRE LINE TO CALIPER MOUNTING BOSS FACE (DISC Ø/2) - DIMENSION 'PL'.

CALIPER PART NUMBERS
CP5219-16S0 - RIGHT HAND TRAILING (BEHIND AXLE)
CP5219-17S0 - LEFT HAND TRAILING (BEHIND AXLE)
CP5219-18S0 - RIGHT HAND LEADING (IN FRONT OF AXLE)
CP5219-19S0 - LEFT HAND LEADING (IN FRONT OF AXLE)



PAD AREA = 51.17 cm²
PAD VOLUME = 62.84 cm³
PAD THICKNESS = 16.75 mm



Issue No.	Alterations		Zone	Initials
	Date & No.	Particulars		
1	26/11/08 B5378	FIRST ISSUE		DRA

SCALE 1:1	SHEET 1 OF 1
DRAWN	D.ARROWSMITH
APPROVED	
DERIVED FROM	
TITLE 4-POT RACE CALIPER	
DRG NO.	CP5219-3CD