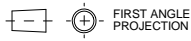


# A0 INSTALLATION DRAWING

IF THIS DOCUMENT IS PRINTED IN HARD COPY, IT IS FOR INFORMATION USE ONLY AND THEREFORE IS NOT SUBJECT TO UPDATING CONTROLS. ALWAYS REFER TO SOLIDWORKS VIEWER FOR LATEST ISSUE



THIS DRAWING IS CONFIDENTIAL AND IS SUPPLIED ON THE EXPRESS CONDITION THAT IT SHALL NOT BE LOANED OR COPIED OR DISCLOSED TO ANY OTHER PERSON OR USED FOR ANY OTHER PURPOSE WITHOUT THE WRITTEN CONSENT OF AP RACING LTD.

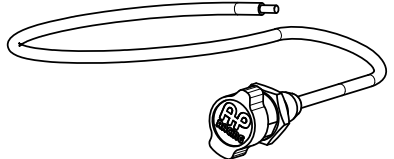
**AP RACING**  
 AP Racing  
 Wheeler Road  
 Coventry  
 CV3 4LB  
 Tel: +44 (0)24 7663 9595  
 Fax: +44 (0)24 7663 9559  
 e-mail: sales@apracings.co.uk  
 © AP Racing Ltd. 2005 Web site: HTTP://www.apracings.com

**GENERAL DESCRIPTION**  
 THIS PEDAL BOX IS A GENERIC RACING PEDAL BOX DESIGN. DESIGNED FOR COMFORT AND CONTROL. THIS UPDATED PEDAL BOX HAS A NEW OPTIMISED MACHINED FROM BILLET BASEPLATE AND PEDALS.

- FEATURES**
- OPTIMISED, LIGHTWEIGHT, MACHINED FROM BILLET BASE PLATE.
  - OPTIMISED, LIGHTWEIGHT CLUTCH AND BRAKE PEDAL, WITH IMPROVED TWIST DISPLACEMENT.
  - ADJUSTABLE RATIO PEDALS.
  - ALL THREADS ARE METRIC, EXCEPT THOSE MENTIONED BELOW.
  - ADJUSTABLE STOP ON CLUTCH PEDAL.
  - Ø10 BALANCE BAR
  - PEDAL BOX WEIGHT IS 3.84 Kg (CP2623 MASTER CYLINDERS APPROX 0.31Kg EACH)
  - CABLE ADJUSTER INCLUDED.
  - ALL PEDALS HAVE BALL BEARING PIVOTS.

**PART NUMBER**  
 CP5500-515MET - METRIC, PEDAL BOX WITH BRAKE, CLUTCH  
 CP5500-515UNF - IMPERIAL PEDAL BOX WITH BRAKE, CLUTCH  
 THE ONLY THREADS THAT ARE IMPERIAL ARE THE 3 CLEVIS'S THAT ATTACH TO THE MASTER CYLINDER PUSHRODS.

BORE SIZE	BRAKE PEDAL	CLUTCH PEDAL
Ø14.0mm (0.551")	CP2623-88PRM088	CP2623-88PRM088
Ø15.0mm (0.591")	CP2623-89PRM088	CP2623-89PRM088
Ø15.9mm (0.625") 5/8"	CP2623-90PRM088	CP2623-90PRM088
Ø16.8mm (0.661")	CP2623-905PRM088	CP2623-905PRM088
Ø17.8mm (0.700")	CP2623-91PRM088	CP2623-91PRM088
Ø19.1mm (0.750") 3/4"	CP2623-92PRM088	CP2623-92PRM088
Ø20.6mm (0.842") 13/16"	CP2623-93PRM088	CP2623-93PRM088
Ø22.2mm (0.875") 7/8"	CP2623-94PRM088	CP2623-94PRM088
Ø23.8mm (0.937") 15/16"	CP2623-95PRM088	CP2623-95PRM088
Ø25.4mm (1.000")	CP2623-96PRM088	CP2623-96PRM088



CP2805-18 CABLE ADJUSTER  
 THIS IS INCLUDED WITH THIS PEDAL BOX

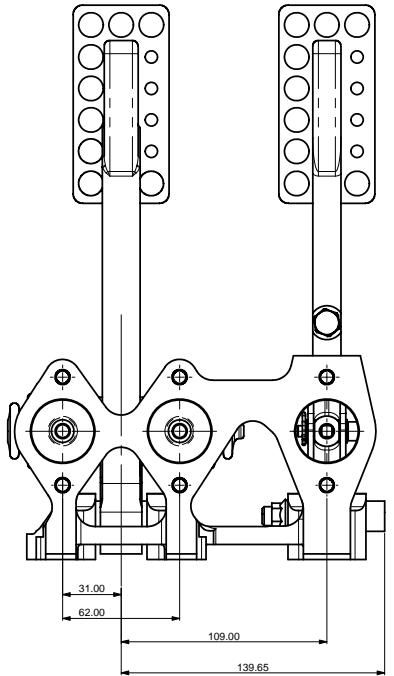
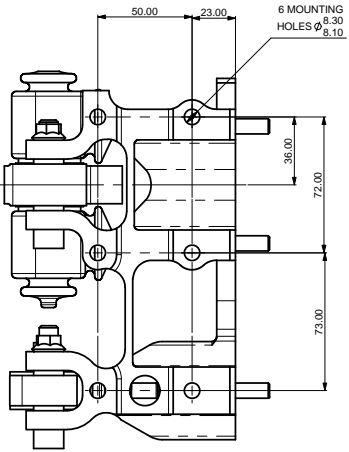
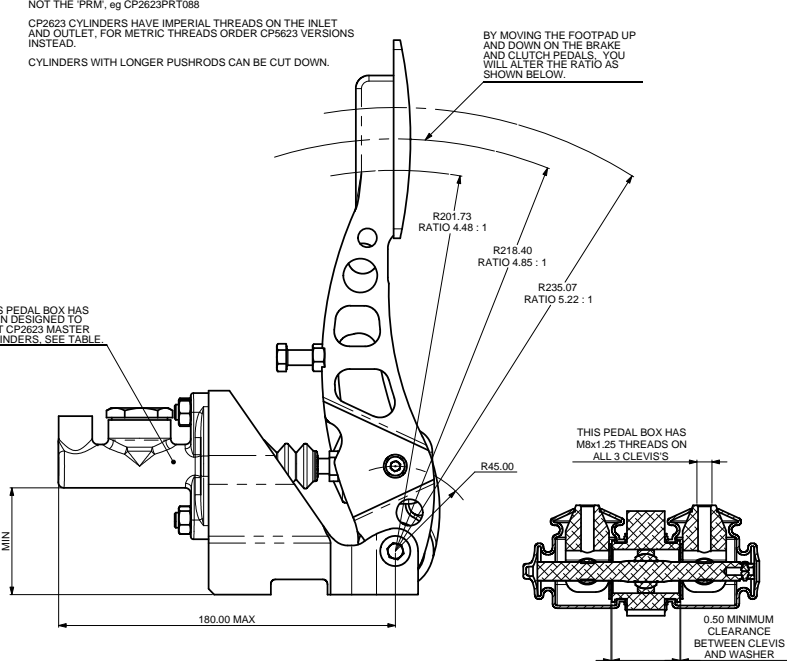
THIS TABLE SHOWS THE RECOMMENDED PUSHROD LENGTHS FOR CYLINDERS IN THIS BOX.

IF YOU ARE ORDERING THE CP5500-515UNF. THEN MAKE SURE YOU ORDER YOUR CYLINDERS WITH THE 'PRT' EXTENSION AND NOT THE 'PRM', eg CP2623PRT088

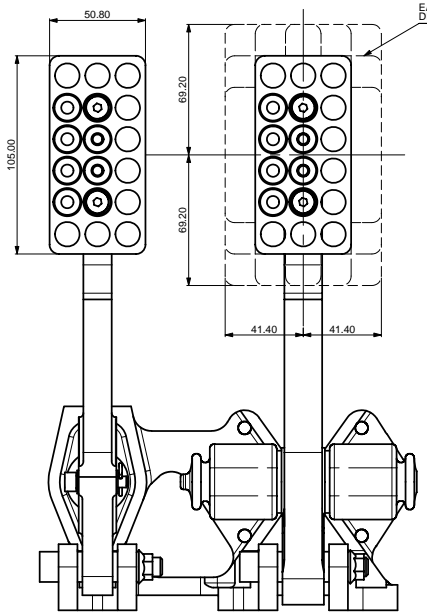
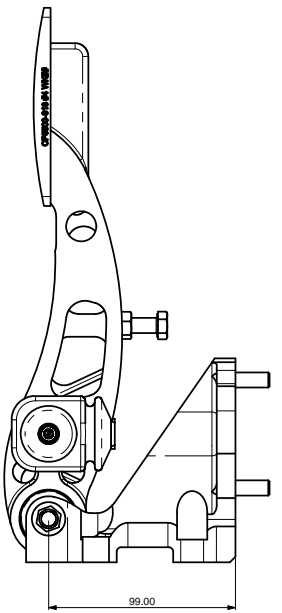
CP2623 CYLINDERS HAVE IMPERIAL THREADS ON THE INLET AND OUTLET, FOR METRIC THREADS ORDER CP5623 VERSIONS INSTEAD.

CYLINDERS WITH LONGER PUSHRODS CAN BE CUT DOWN.

BY MOVING THE FOOTPAD UP AND DOWN ON THE BRAKE AND CLUTCH PEDALS, YOU WILL ALTER THE RATIO AS SHOWN BELOW.



FOR OPTIONAL EXTRAS & SPARES SEE SHEET 2



EACH FOOTPAD HAS 9 DIFFERENT POSITIONS.

Alterations		Zone	Issue
Date & No.	Particulars	#	RS
08/07/2010	FIRST ISSUE	#	COA
26/07/2012	SHEET 3 ADDED	#	RS
02/03/16 B7433_03	SHEET 2: CLUTCH PIVOT BOLT - ITEM 23 CP5000-425 WAS CP5500-331 IMPERIAL BRAKE CLEVIS CP5500-345 WAS CP5500-191 SHEET 3 REMOVED AS NO LONGER NECESSARY	B16	DW
17/08/18 RAC22285	PEDAL BOX WEIGHT ADDED	M14	BAT

SCALE 1:1 SHEET 1 OF 2  
 DRAWN Chris Amosmith  
 APPROVED  
 DERIVED FROM  
 TITLE GENERIC FLOOR MTG PEDAL BOX  
 DRG NO. CP5500-515CD

# A0 INSTALLATION DRAWING

IF THIS DOCUMENT IS PRINTED IN HARD COPY, IT IS FOR INFORMATION USE ONLY AND THEREFORE IS NOT SUBJECT TO UPDATING CONTROLS. ALWAYS REFER TO SOLIDWORKS VIEWER FOR LATEST ISSUE

FIRST ANGLE PROJECTION

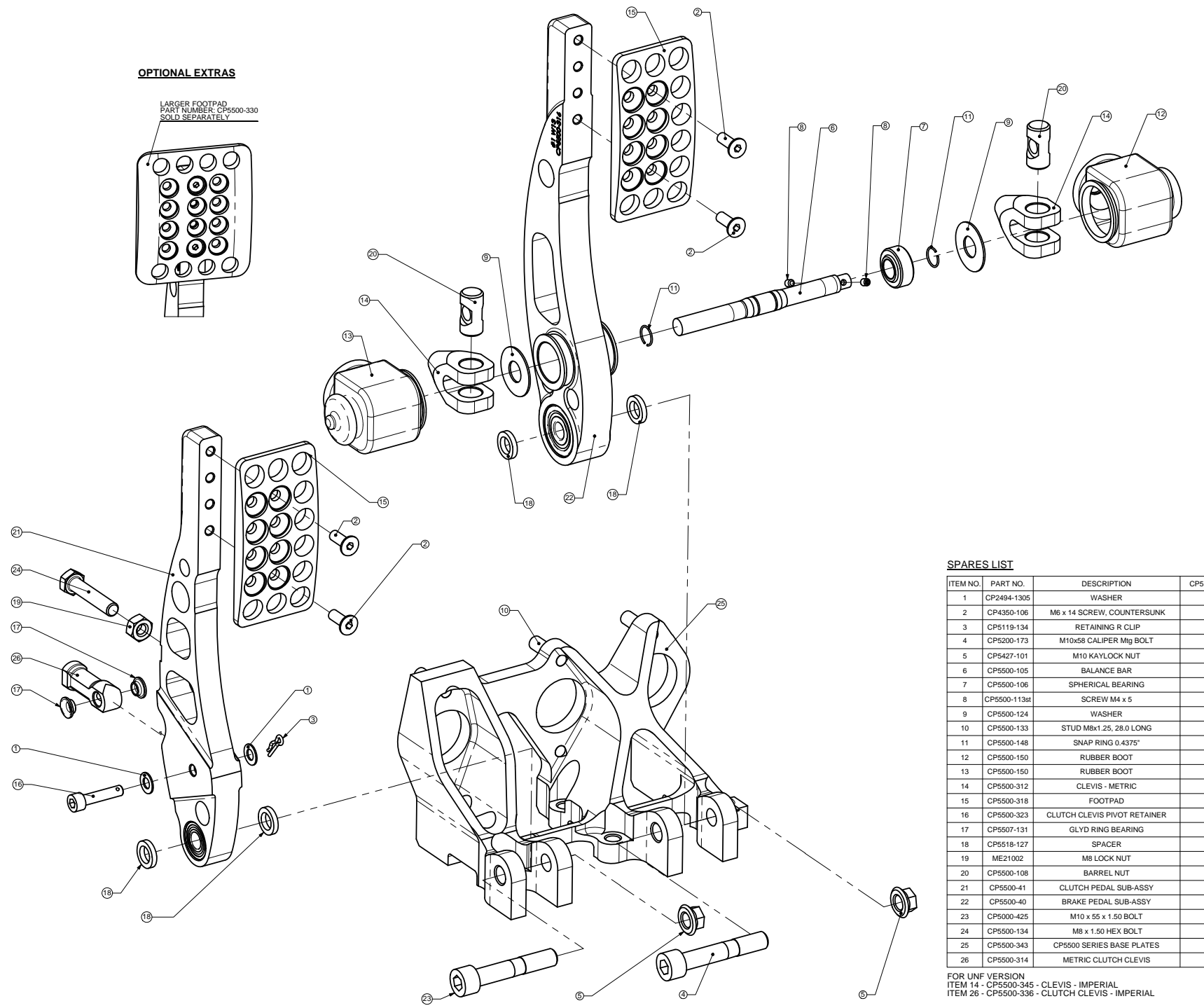
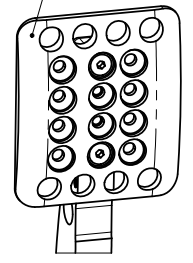
THIS DRAWING IS CONFIDENTIAL AND IS SUPPLIED ON THE EXPRESS CONDITION THAT IT SHALL NOT BE LOANED OR COPIED OR DISCLOSED TO ANY OTHER PERSON OR USED FOR ANY OTHER PURPOSE WITHOUT THE WRITTEN CONSENT OF AP RACING LTD.



**AP Racing**  
 Wheeler Road  
 Coventry  
 CV3 4LB  
 Tel: +44 (0)24 7663 9595  
 Fax: +44 (0)24 7663 9599  
 e-mail: sales@apracings.co.uk  
 © AP Racing Ltd. 2005  
 Web site: HTTP://www.apracings.com

### OPTIONAL EXTRAS

LARGER FOOTPAD  
 PART NUMBER: CP5500-330  
 SOLD SEPARATELY



### SPARES LIST

ITEM NO.	PART NO.	DESCRIPTION	CP5500-51/QTY.
1	CP2494-1305	WASHER	2
2	CP4350-106	M6 x 14 SCREW, COUNTERSUNK	4
3	CP5119-134	RETAINING R CLIP	1
4	CP5200-173	M10x58 CALIPER M10g BOLT	1
5	CP5427-101	M10 KAYLOCK NUT	2
6	CP5500-105	BALANCE BAR	1
7	CP5500-106	SPHERICAL BEARING	1
8	CP5500-113st	SCREW M4 x 5	2
9	CP5500-124	WASHER	2
10	CP5500-133	STUD M8x1.25, 28.0 LONG	6
11	CP5500-148	SNAP RING 0.4375"	2
12	CP5500-150	RUBBER BOOT	1
13	CP5500-150	RUBBER BOOT	1
14	CP5500-312	CLEVIS - METRIC	2
15	CP5500-318	FOOTPAD	2
16	CP5500-323	CLUTCH CLEVIS PIVOT RETAINER	1
17	CP5507-131	GLYD RING BEARING	2
18	CP5518-127	SPACER	4
19	ME21002	M8 LOCK NUT	1
20	CP5500-108	BARREL NUT	2
21	CP5500-41	CLUTCH PEDAL SUB-ASSY	1
22	CP5500-40	BRAKE PEDAL SUB-ASSY	1
23	CP5000-425	M10 x 55 x 1.50 BOLT	1
24	CP5500-134	M8 x 1.50 HEX BOLT	1
25	CP5500-343	CP5500 SERIES BASE PLATES	1
26	CP5500-314	METRIC CLUTCH CLEVIS	1

FOR UNF VERSION  
 ITEM 14 - CP5500-345 - CLEVIS - IMPERIAL  
 ITEM 26 - CP5500-336 - CLUTCH CLEVIS - IMPERIAL

Alterations		Date & No.	Particulars	Zone	Index
			SEE SHEET 1 FOR ISSUE INFORMATION.		

SCALE 1:1 SHEET 2 OF 2  
 DRAWN Chris Amosmith  
 APPROVED  
 DERIVED FROM  
 TITLE  
 GENERIC FLOOR MTG  
 PEDAL BOX  
 DRG NO. CP5500-515CD