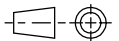


# A3 INSTALLATION DRAWING

If this document is printed in hardcopy, it is for information only and therefore is not subject to updating controls. Always refer to viewer for latest issue



FIRST ANGLE PROJECTION

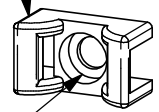
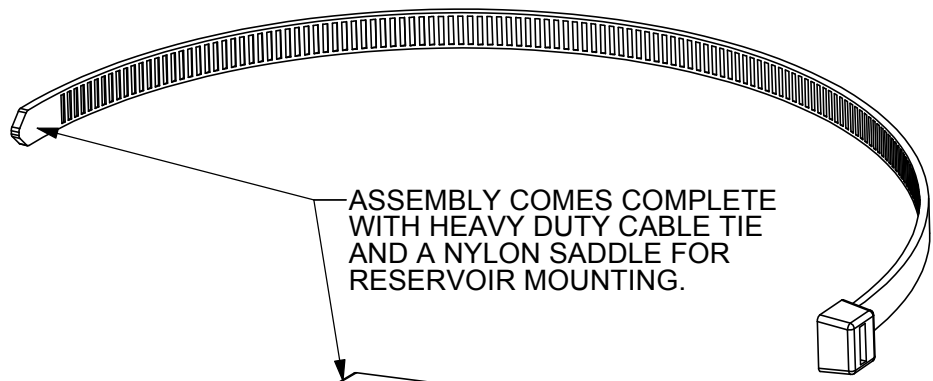
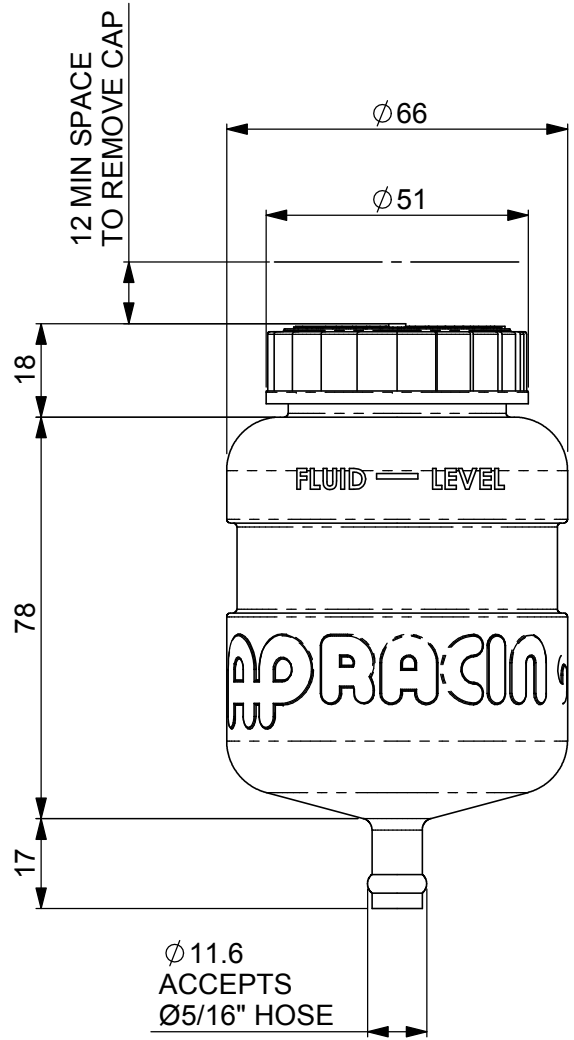
THIS DRAWING IS CONFIDENTIAL AND IS SUPPLIED ON THE EXPRESS CONDITION THAT IT SHALL NOT BE LOANED OR COPIED OR DISCLOSED TO ANY OTHER PERSON OR USED FOR ANY OTHER PURPOSE WITHOUT THE WRITTEN CONSENT OF AP RACING LTD.



AP Racing  
Wheler Road  
Coventry  
CV3 4LB  
Tel: +44 024 7663 9595  
Fax: +44 024 7663 9559  
e-mail: [engineering@ap racing.co.uk](mailto:engineering@ap racing.co.uk)  
web-site: [HTTP://www.ap racing.com](http://www.ap racing.com)

© AP Racing Ltd. 2005

Issue No.	Alterations		Zone	Initials
	Date & No.	Particulars		
1	30/04/07 B4433	FIRST ISSUE		#



MOUNTING HOLE TO SUIT 6mm CHEESEHEAD SCREW (NOT SUPPLIED).

RESERVOIR PART NUMBER :- CP5709-10  
FLUID VOLUME:- 185 cm<sup>3</sup>

SCALE 1:1 SHEET 1 OF 1

DRAWN	D.ARROWSMITH
APPROVED	
DERIVED FROM	
TITLE REMOTE RESERVOIR ASSEMBLY	

Drg No. CP5709-10 CD