

A1 INSTALLATION DRAWING

IF THIS DOCUMENT IS PRINTED IN HARDCOPY, IT IS FOR INFORMATION USE ONLY AND THEREFORE IS NOT SUBJECT TO UPDATING CONTROLS. ALWAYS REFER TO SOLIDWORKS VIEWER FOR LATEST ISSUE

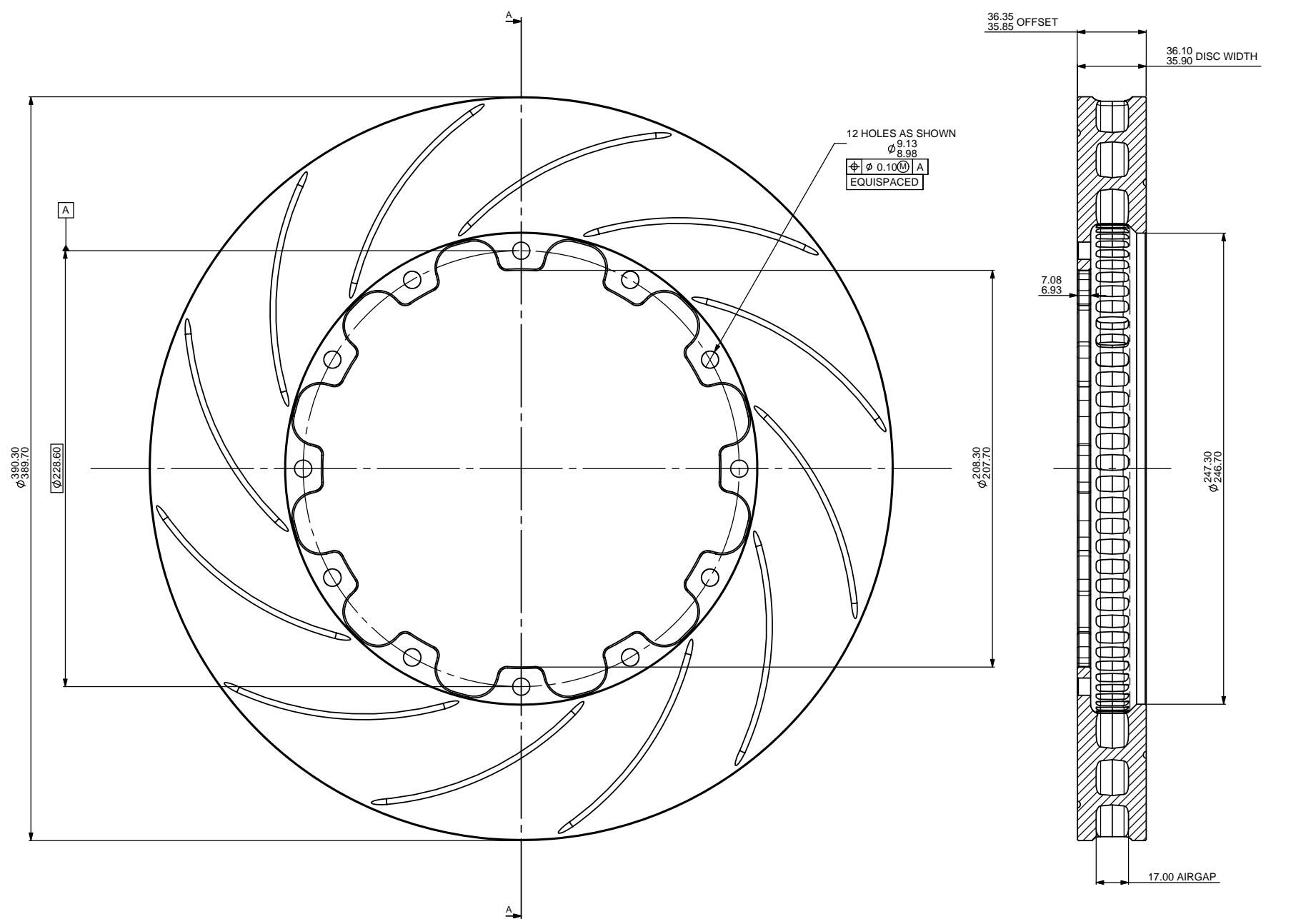
FIRST ANGLE PROJECTION

THIS DRAWING IS CONFIDENTIAL AND IS SUPPLIED ON THE EXPRESS CONDITION THAT IT SHALL NOT BE LOANED OR COPIED OR DISCLOSED TO ANY OTHER PERSON OR USED FOR ANY OTHER PURPOSE WITHOUT THE WRITTEN CONSENT OF AP RACING LTD.



AP Racing
Wheler Road
Coventry
CV3 4LB
Tel: +44 (0) 24 7663 9595
Fax: +44 (0) 24 7663 9559
e-mail: engineering@apracings.co.uk
Web site: <http://www.apracings.com>

© AP Racing Ltd. 2005



12 HOLES AS SHOWN
 $\phi 9.13$
 $\phi 8.98$
 $\phi 0.10 \text{ (M)} \text{ A}$
 EQUISPACED

36.35 OFFSET
 35.85
 36.10 DISC WIDTH
 35.90

7.08
 6.93

$\phi 247.30$
 $\phi 246.70$

17.00 AIRGAP

SECTION A-A

CP7177-106CG12 RH DISC (DRAWN)
 CP7177-107CG12 LH

ELVD NOTE
 MATERIAL AND COATING COMPLY
 WITH E.U. DIRECTIVE 2000/53/EC.

Issue No.	Alterations		Zone	Initials
	Date & No.	Particulars		
1	24/06/13 R3813	FIRST ISSUE		gd

SCALE 1:1		SHEET 1 OF 1	
DRAWN	Greg Dolman		
APPROVED			
DERIVED FROM	CP7177-108-9		
TITLE			
$\phi 390 \times 36$			
INSTALLATION DRAWING			
DRG NO.	CP7177-106-7CG12_CD		