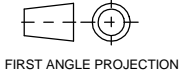


PUBLICATION

P12.101

ISSUE: 2

If this document is printed in hardcopy, it is for information use only and therefore is not subject to updating controls. Always refer to viewer for latest issue.



THIS DRAWING IS CONFIDENTIAL AND IS SUPPLIED ON THE EXPRESS CONDITION THAT IT SHALL NOT BE LOANED OR COPIED OR DISCLOSED TO ANY OTHER PERSON OR USED FOR ANY OTHER PURPOSE WITHOUT THE WRITTEN CONSENT OF AP RACING LTD.

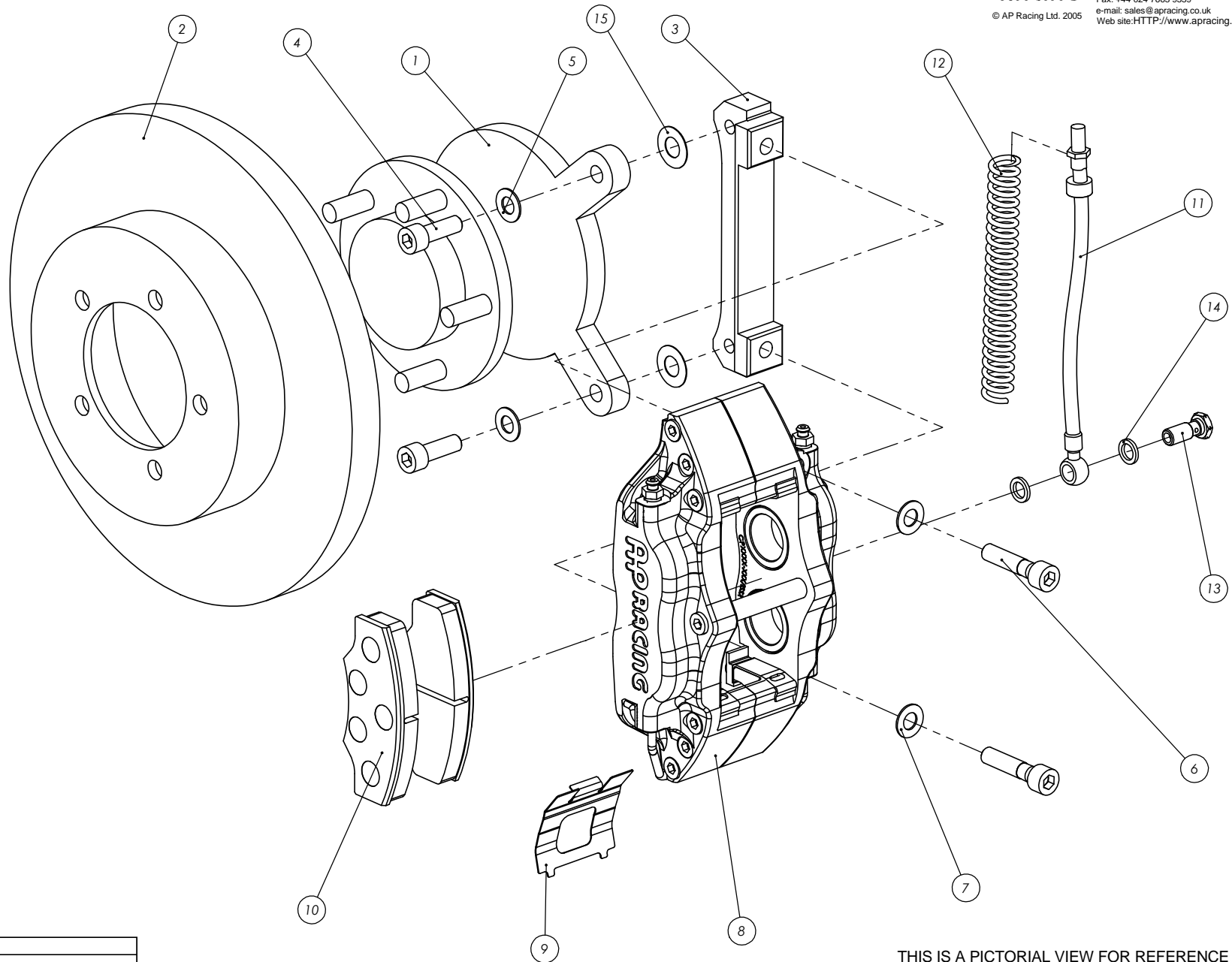


AP Racing
Wheler Road
Coventry
CV3 4LB

Tel: +44 024 7663 9595
Fax: +44 024 7663 9599
e-mail: sales@apracings.co.uk
Web site: HTTP://www.apracings.com

MITSUBISHI EVOLUTION 5/6 REAR KIT NUMBER CP5108-1002

Ref	DESCRIPTION	Qty
1	MITSUBISHI REAR UPRIGHT	-
2	MITSUBISHI REAR DISC	-
3	MOUNTING BRACKET	2
4	BRACKET MOUNTING BOLT	4
5	BRACKET WASHER	4
6	CALIPER MOUNTING BOLT	4
7	CALIPER WASHER	4
8	CALIPER RIGHT HAND CALIPER LEFT HAND	1 1
9	ANTI-RATTLE CLIP	2
10	CALIPER PAD SET (4)	1
11	BRAKE HOSE KIT	2
12	NYLON ARMOUR	2
13	BANJO BOLTS	2
14	GASKETS	4
15	BRACKET SHIMS	12



Tightening Torques	
Part Ref #	Torque
Bolt Ref 4	58NM
Bolt Ref 6	58NM
Banjo Bolt Feed	22NM
Caliper Bleed Screw	17NM

Comments

Check caliper is central over disc, use 0.5mm shims (Part Ref 15) to adjust bracket if required
Illustration is of left hand assembly

PLEASE RETAIN THIS SHEET FOR FUTURE REFERENCE

THIS IS A PICTORIAL VIEW FOR REFERENCE ONLY. SOME PARTS MAY VARY FROM THOSE SUPPLIED. AP RACING RESERVE THE RIGHT TO CHANGE COMPONENTS WITHOUT PRIOR NOTICE.

DRAWN BY: Oliver Moore