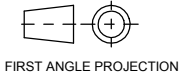


PUBLICATION P12.198

ISSUE 4

If this document is printed in hardcopy, it is for information use only and therefore is not subject to updating controls. Always refer to viewer for latest issue.



THIS DRAWING IS CONFIDENTIAL AND IS SUPPLIED ON THE EXPRESS CONDITION THAT IT SHALL NOT BE LOANED OR COPIED OR DISCLOSED TO ANY OTHER PERSON OR USED FOR ANY OTHER PURPOSE WITHOUT THE WRITTEN CONSENT OF AP RACING LTD.



© AP Racing Ltd. 2004

AP Racing
Wheler Road
Coventry
CV3 4LB

Tel: +44 024 7663 9595 e-mail: sales@apracings.co.uk
Fax: +44 024 7663 9559 Web site: HTTP://www.apracings.com

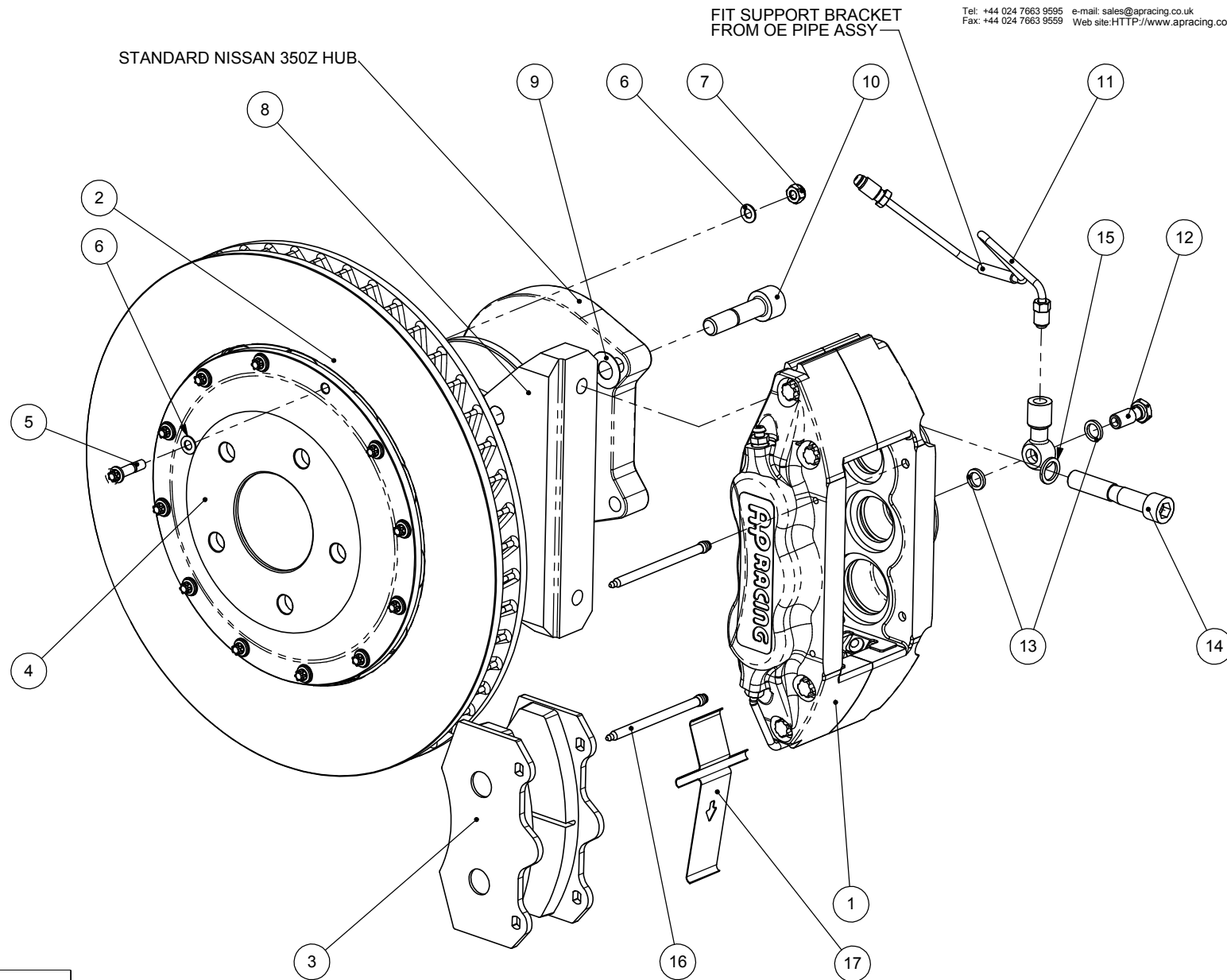
NISSAN 350Z FRONT KIT NUMBER CP7040-1011		
Ref	Description	QTY
1	Caliper Right Hand	1
	Caliper Left Hand	1
2	Disc Right Hand	1
	Disc Left Hand	1
3	Pad Set (D61mm)	1
4	Mounting Bell	2
5	Disc Mtg Bolt	24
6	Washer	48
7	Nut	24
8	Mtg Bracket	2
9	0.5mm Washer/Shim	12
10	OE Caliper Mounting Bolt	4
11	Brake Pipe	1 LH 1 RH
12	Banjo Bolt	2
13	Gasket	4
14	Caliper Mtg Bolt	4
15	Washer	4
16	Pad Retainer Pin	4
17	Anti-Rattle Clip	2

Tightening Torques	
Part Ref #	Torque
Bolt Ref 10	68NM
Bolt/Nut Ref 5/7	14NM
Banjo Bolt Ref 12	25NM
Caliper Bleed Screw	17NM

BRAKE DISC WEAR	
NEW	MIN WORN
32.00mm	31.00mm

Comments

Check caliper is central over disc. Use 0.5mm shims (Part ref 9) to adjust if required.



PLEASE RETAIN THIS SHEET FOR FUTURE REFERENCE