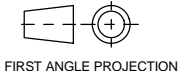


PUBLICATION P12.318

ISSUE: 2

If this document is printed in hardcopy, it is for information use only and therefore is not subject to updating controls. Always refer to viewer for latest issue.



FIRST ANGLE PROJECTION

THIS DRAWING IS CONFIDENTIAL AND IS SUPPLIED ON THE EXPRESS CONDITION THAT IT SHALL NOT BE LOANED OR COPIED OR DISCLOSED TO ANY OTHER PERSON OR USED FOR ANY OTHER PURPOSE WITHOUT THE WRITTEN CONSENT OF AP RACING LTD.



AP Racing
Wheler Road
Coventry
CV3 4LB

Tel: +44 024 7663 9595
Fax: +44 024 7663 9559

e-mail: sales@apracings.co.uk
Web site: HTTP://www.apracings.com

© AP Racing Ltd. 2005

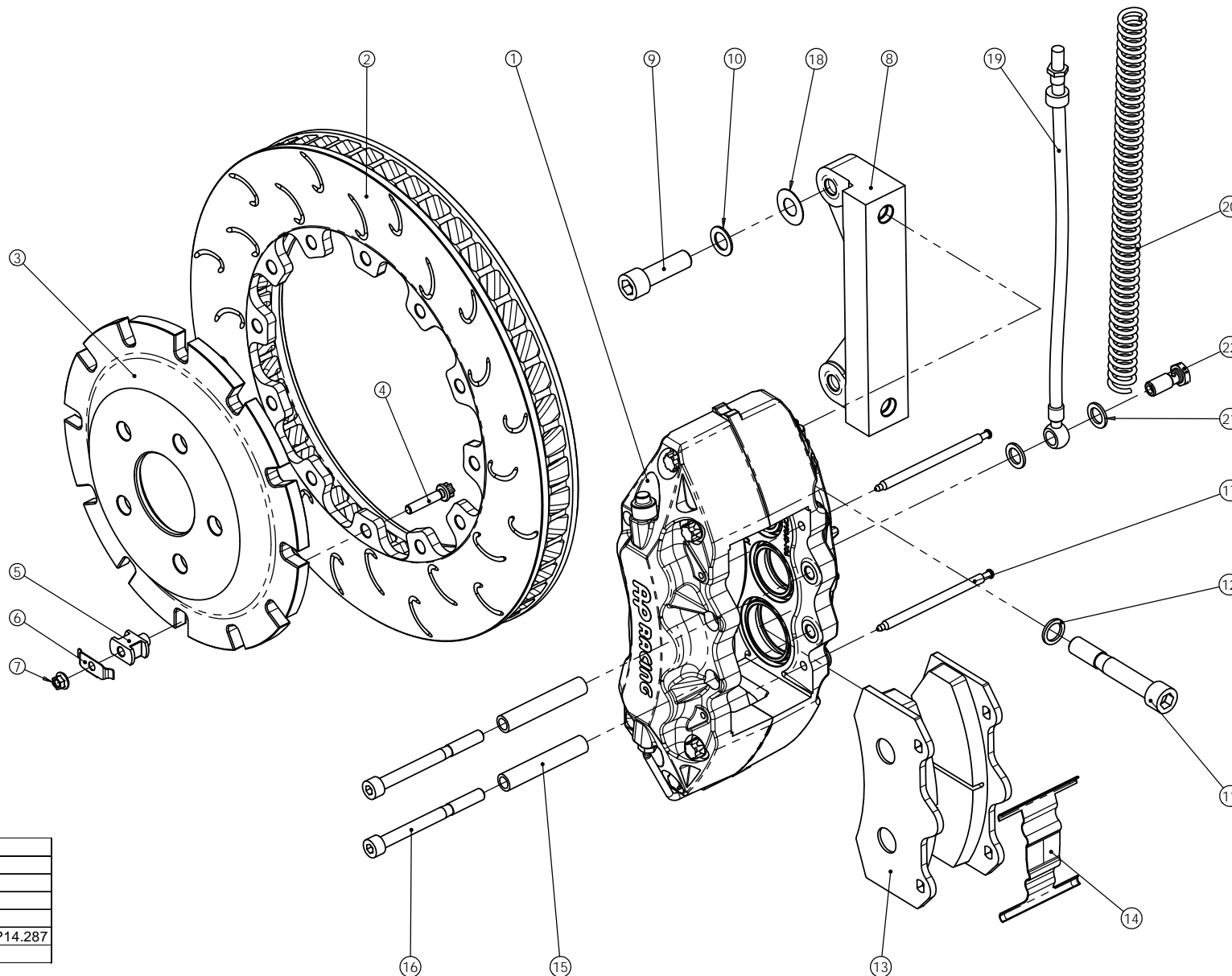
SUBARU BRZ FRONT KIT NUMBER CP9040Y1001		
Ref	Description	QTY
1	Caliper Right Hand	1
	Caliper Left Hand	1
2	Disc Right Hand	1
	Disc Left Hand	1
3	Mounting Bell	2
4	Disc Bobbin Bolt	24
5	Disc Bobbin Bush	24
6	Disc Bobbin Spring	24
7	Disc Bobbin Nut	24
8	Caliper Mtg Bracket	2
9	Bracket Mtg Bolt	4
10	Bracket Washer	4
11	Caliper Mtg Bolt	4
12	Caliper Washer	4
13	Pad Set (4)	1
14	Anti Rattle Clip	2
15	Pad Retainer Sleeve	4
16	Pad Retainer Bolts	4
17	Pad Pin	4
18	Shims	16
19	Hose Kit	1
20	Nylon Armour	2
21	Gasket (Part of Hose Kit)	4
22	Banjo Bolt (Part of Hose Kit)	2

BRAKE DISC WEAR	
NEW	MIN WORN
32.00	31.00

Tightening Torques	
Part Ref #	Torque
Bolt Ref 9	68Nm
Bolt Ref 11	68Nm
Bolt Ref 16	13Nm
Bolt/Nut Ref 4/7	Refer to Publication Ref. P14.287
Caliper Bleed Screw	17Nm

Comments

Check caliper is central over disc, use shims (Part Ref 18) to adjust bracket if required.
Ensure splash guard does not foul on disc face, bend as necessary.



THIS IS A PICTORIAL VIEW FOR REFERENCE ONLY. SOME PARTS MAY VARY FROM THOSE SUPPLIED. AP RACING RESERVE THE RIGHT TO CHANGE COMPONENTS WITHOUT PRIOR NOTICE.

PLEASE RETAIN THIS SHEET FOR FUTURE REFERENCE

Drawn By: Andrew Thorpe