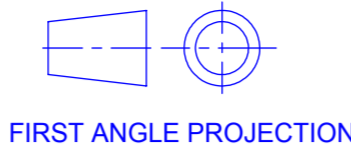


PUBLICATION P12.320

ISSUE : 1

If this document is printed in hardcopy, it is for information use only and therefore is not subject to updating controls. Always refer to viewer for latest issue.



THIS DRAWING IS CONFIDENTIAL AND IS SUPPLIED ON THE EXPRESS CONDITION THAT IT SHALL NOT BE LOANED OR COPIED OR DISCLOSED TO ANY OTHER PERSON OR USED FOR ANY OTHER PURPOSE WITHOUT THE WRITTEN CONSENT OF AP RACING LTD.

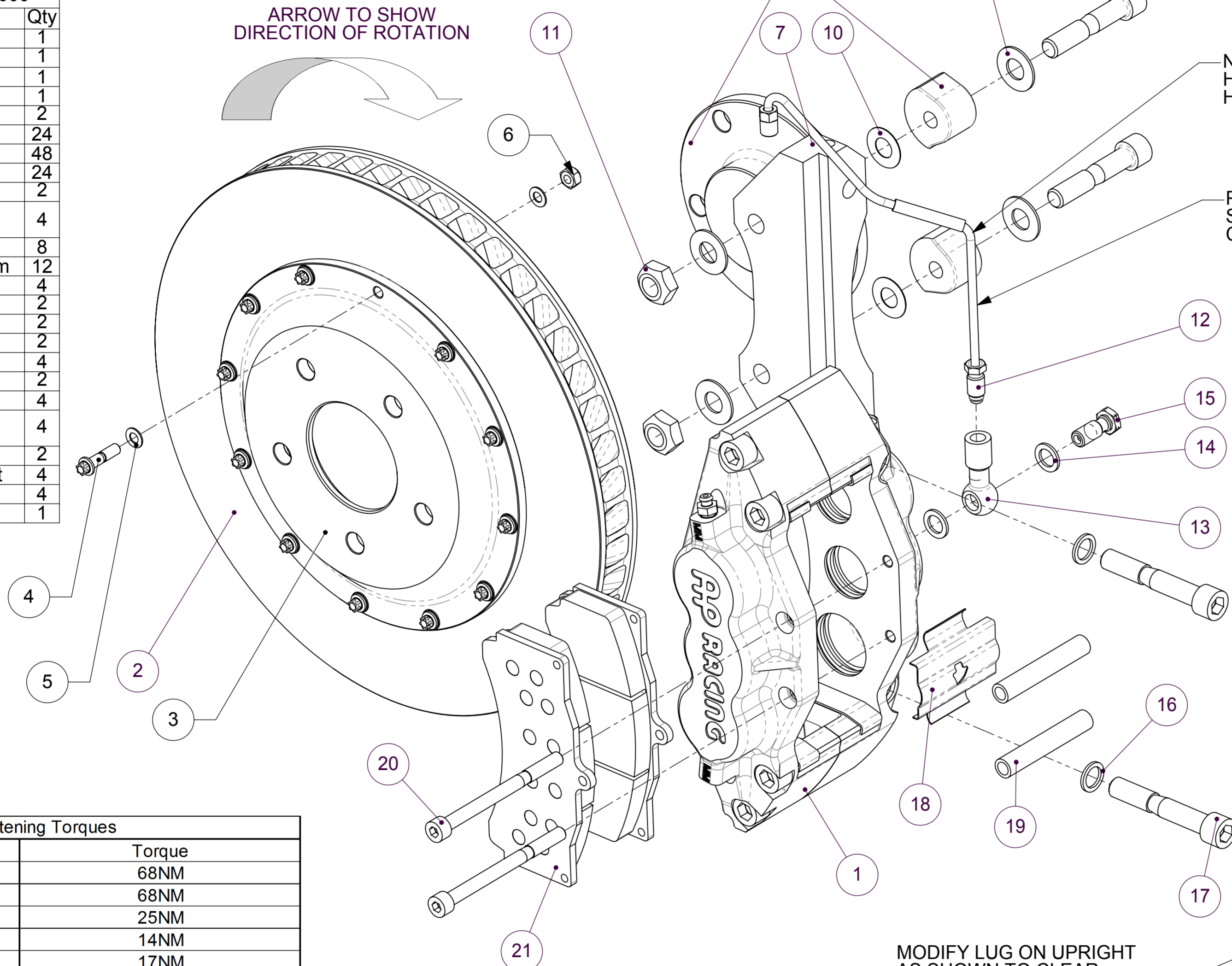


AP Racing
Wheler Road
Coventry
CV3 4LB

Tel: +44 024 7663 9595
Fax: +44 024 7663 9559
e-mail: sales@apracing.co.uk
Web site: HTTP://www.apracing.com

© AP Racing Ltd. 2005

Skyline R32/3 Front Kit Number CP5555-1000		
Ref	Description	Qty
1	Caliper RH	1
	Caliper LH	1
2	Disc RH	1
	Disc LH	1
3	Mtg Bell	2
4	Disc Bolt	24
5	Disc Bolt Washer	48
6	Disc Bolt Nut	24
7	Mtg Bracket	2
8	Bracket Bolt M12x1.75x62.5	4
9	M12 Washer	8
10	0.5mm Washer/Shim	12
11	Clevaloc Nut	4
12	Pipe Assy RH	2
	Pipe Assy LH	2
13	Banjo Fitting	2
14	Gasket	4
15	Banjo-M10	2
16	Washer	4
17	Caliper Mtg Bolt M12x1.75x73.85	4
18	Anti-Rattle Clip	2
19	Pad Retainer Insert	4
20	Pad Retainer Bolt	4
21	Pad Set (4)	1



NISSAN STANDARD HUB MTGS
INCLUDED FOR REF ONLY

ARROW TO SHOW
DIRECTION OF ROTATION

NOTE: CP5200-1072/3
HAS LARGER RADIUS
HERE

PIPE ASSEMBLY
SHOWN IS
CP5200-1058

IF FITTING TO R33
MODEL USE
CP5200-1058/9 PIPE
ASSEMBLIES. FOR
R34 MODEL USE
CP5200-1072/3
ASSEMBLIES

LOCATE NISSAN
CLIP ON BRACKET
USING NISSAN GROMMET
AS SHOWN

NOTE:-
THREAD IN
BRACKET
M8 x 1.25

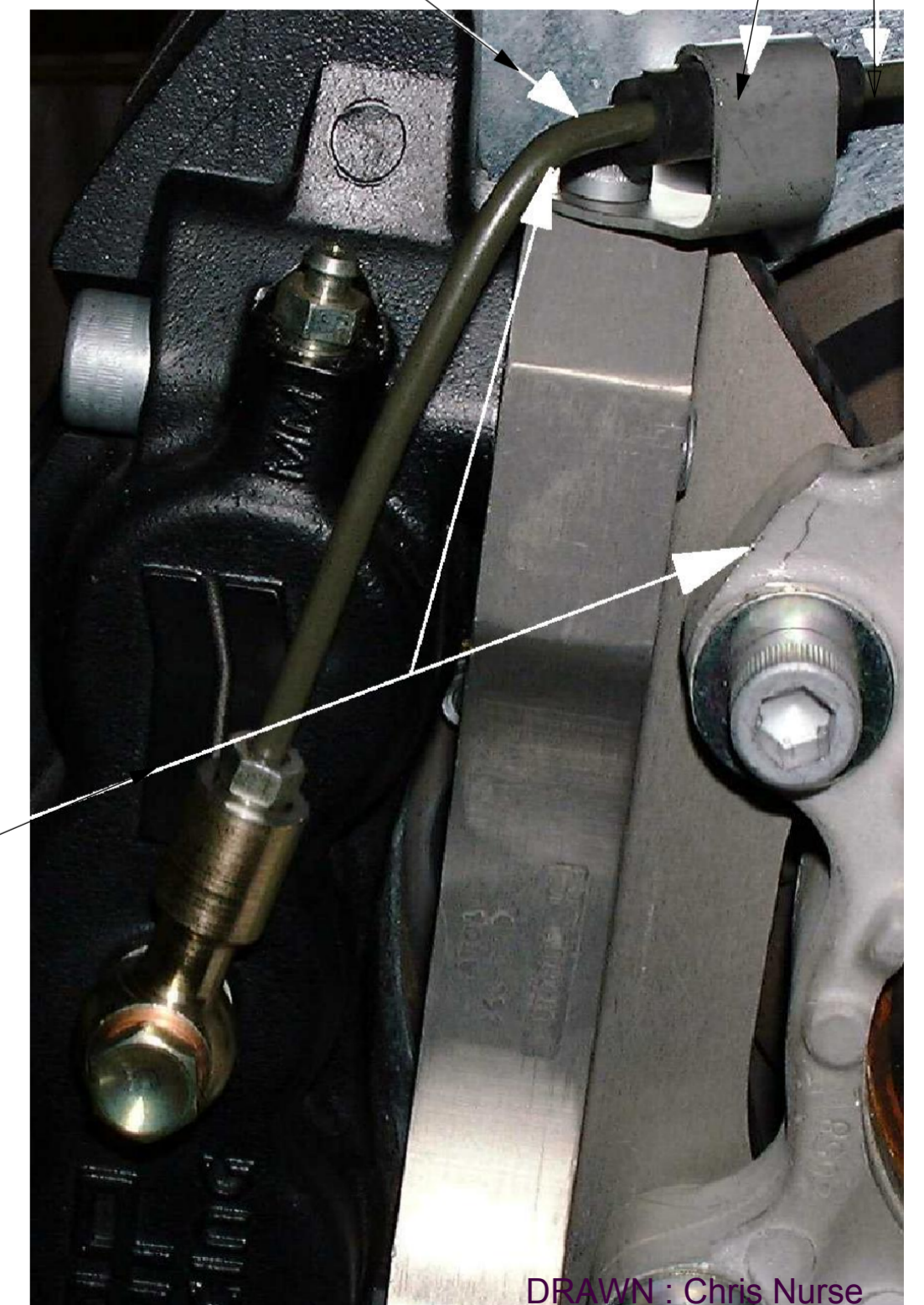
MODIFY LUG ON UPRIGHT
AS SHOWN TO CLEAR
AP Racing BRACKET

Tightening Torques	
Part Ref #	Torque
Bolt/Nut Ref 8/11	68NM
Bolt Ref 17	68NM
Banjo Bolt Ref 15	25NM
Bolt/Nut Ref 4/6	14NM
Caliper Bleed Screw	17NM
Pad Retaining Pin Ref 20	19NM

BRAKE DISC WEAR	
NEW	MIN WORN
32.00mm	31.00mm

Check caliper is central over disc, Use 0.5mm shims (Part ref 10) to adjust if required. Use the original Nissan bracket and grommet to locate hydraulic pipe. Hydraulic pipe should be bent and located as shown in photo.

THIS IS A PICTORIAL VIEW FOR REFERENCE ONLY. SOME PARTS MAY VARY FROM THOSE SUPPLIED. AP RACING RESERVE THE RIGHT TO CHANGE COMPONENTS WITHOUT PRIOR NOTICE.



DRAWN : Chris Nurse