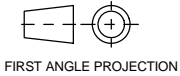


PUBLICATION P12.323

ISSUE: 2

If this document is printed in hardcopy, it is for information use only and therefore is not subject to updating controls. Always refer to viewer for latest issue.



THIS DRAWING IS CONFIDENTIAL AND IS SUPPLIED ON THE EXPRESS CONDITION THAT IT SHALL NOT BE LOANED OR COPIED OR DISCLOSED TO ANY OTHER PERSON OR USED FOR ANY OTHER PURPOSE WITHOUT THE WRITTEN CONSENT OF AP RACING LTD.

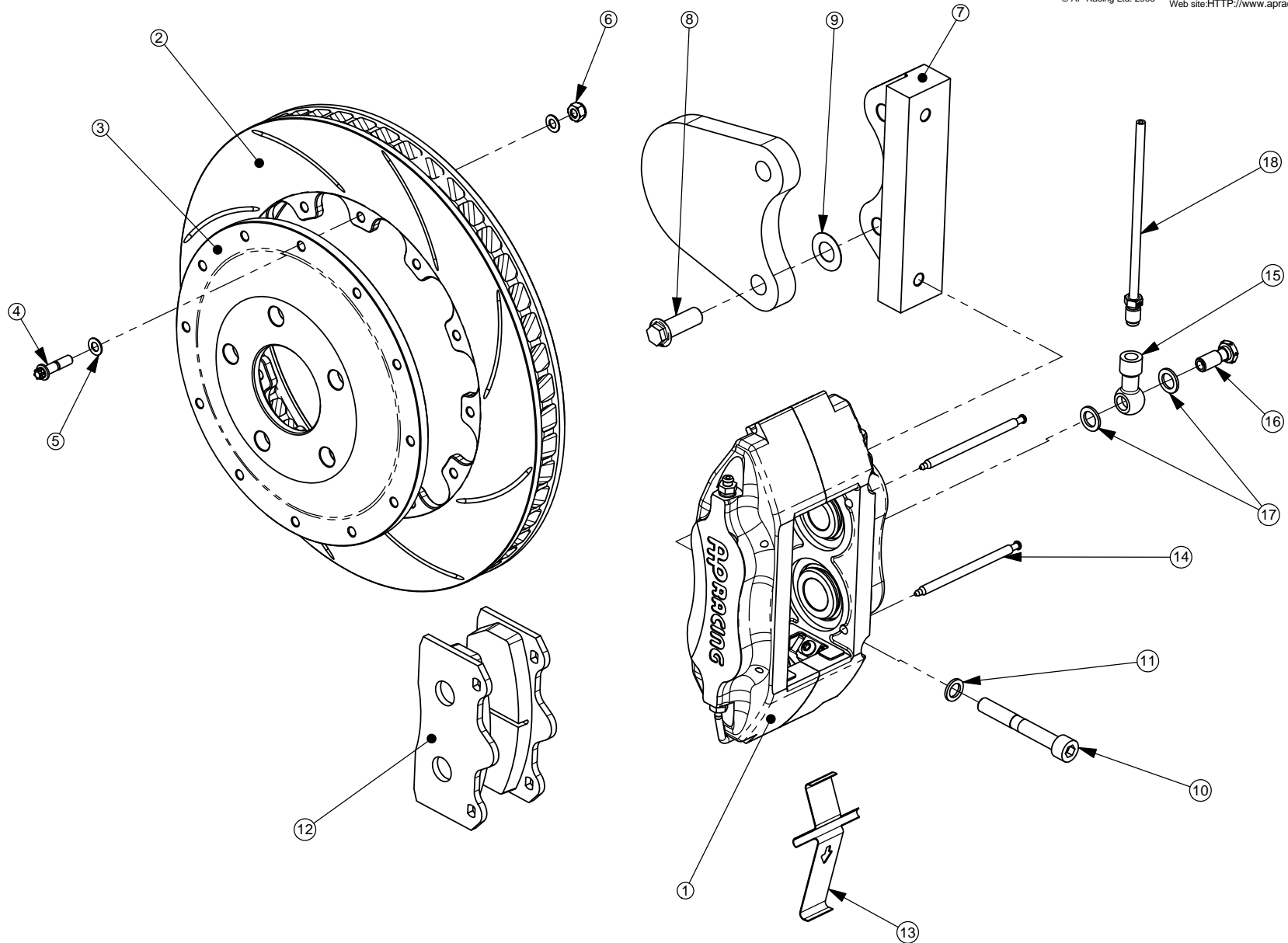


AP Racing
Wheler Road
Coventry
CV3 4LB

Tel: +44 024 7663 9595
Fax: +44 024 7663 9559
e-mail: sales@ap racing.co.uk
Web site: HTTP://www.ap racing.com

© AP Racing Ltd. 2005

FORD FOCUS ST 2012 KIT NUMBER CP6628-1006		
Ref	Description	QTY
1	Caliper Right Hand	1
	Caliper Left Hand	1
2	Disc Right Hand	1
	Disc Left Hand	1
3	Mounting Bell	2
4	Disc Mounting Bolt	24
5	Disc Mounting Washer	48
6	Disc Mounting Nut	24
7	Caliper Mtg Bracket	2
8	Standard Bracket Mtg Bolt (Not Included)	-
9	Bracket Shims	12
10	Caliper Mtg Bolt	4
11	Caliper Mtg Washer	4
12	Pad Set (4)	1
13	Anti Rattle Clip	2
14	Pad Pin	4
15	Banjo Fitting	2
16	Banjo Bolt	2
17	Gasket	4
18	Standard Brake Hose (Not Included)	-



BRAKE DISC WEAR	
NEW	MIN WORN
28.00mm	26.50mm

Tightening Torques	
Part Ref #	Torque
Bolt Ref 8	78NM
Bolt Ref 10	58NM
Bolt/Nut Ref 4/6	14NM
Banjo Bolt Ref 16	25NM
Caliper Bleed Screw	17NM

Comments

Check caliper is central over disc, use 0.5mm shims (Part Ref 9) to adjust bracket if required.

Ensure splash plate is clear of disc. Bend as necessary.

Illustration is of right hand assembly

PLEASE RETAIN THIS SHEET FOR FUTURE REFERENCE

THIS IS A PICTORIAL VIEW FOR REFERENCE ONLY. SOME PARTS MAY VARY FROM THOSE SUPPLIED. AP RACING RESERVE THE RIGHT TO CHANGE COMPONENTS WITHOUT PRIOR NOTICE.

Drawn By: Andrew Thorpe