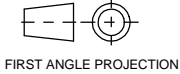


PUBLICATION P12.342

ISSUE : 2

If this document is printed in hardcopy, it is for information use only and therefore is not subject to updating controls. Always refer to viewer for latest issue.



THIS DRAWING IS CONFIDENTIAL AND IS SUPPLIED ON THE EXPRESS CONDITION THAT IT SHALL NOT BE LOANED OR COPIED OR DISCLOSED TO ANY OTHER PERSON OR USED FOR ANY OTHER PURPOSE WITHOUT THE WRITTEN CONSENT OF AP RACING LTD.

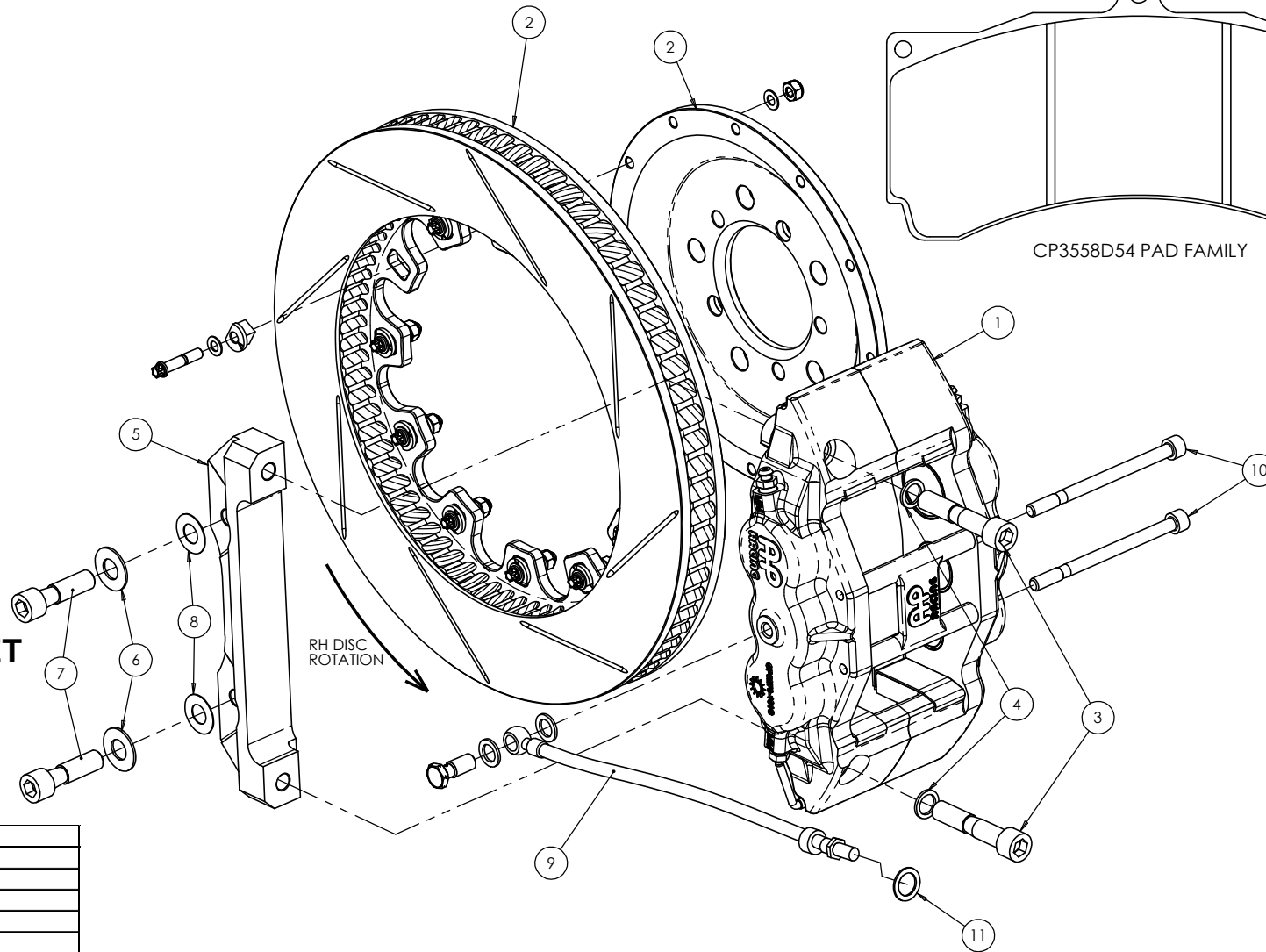


AP Racing
Wheler Road
Coventry
CV3 4LB

Tel: +44 024 7663 9595
Fax: +44 024 7663 9599
e-mail: sales@apracings.co.uk
Web site: HTTP://www.apracings.com

© AP Racing Ltd. 2005

BMW E46 M3 KIT NUMBER CP5260-1003NP		
Ref	Description	QTY
1	Caliper Right Hand	1
	Caliper Left Hand	1
2	Disc Assembly Right Hand	1
	Disc Assembly Left Hand	1
3	Caliper Mtg Bolt	4
4	Caliper Washer	4
5	Mounting Bracket	2
6	Bracket Washer	4
7	Bracket Bolt	4
8	0.5 Shim Washer USE AS REQUIRED SEE COMMENTS	8
9	Hose Kit	1
10	Pad Retainer Bolts	4
11	Washer	2



**PLEASE RETAIN THIS SHEET
FOR FUTURE REFERENCE**

BRAKE DISC WEAR	
NEW	MIN WORN
36.00mm	35.00mm

Tightening Torques	
Part Ref #	Torque
Bolt Ref 3	68NM
Bolt Ref 7	68NM
Caliper Bleed Screw	17NM
Hose Kit Ref 9	25NM
Disc Bolts ref 2	14NM
Pad Retainer Bolts ref 10	19NM

RIGHT HAND ASSEMBLY SHOWN. LEFT HAND OPPOSITE

Comments
Check caliper is central over disc, use 0.5mm shims (Part Ref 08) to adjust bracket if required, note discs assembly direction arrow
Illustration is of right hand assembly

THIS IS A PICTORIAL VIEW FOR REFERENCE ONLY. SOME PARTS MAY VARY FROM THOSE SUPPLIED. AP RACING RESERVE THE RIGHT TO CHANGE COMPONENTS WITHOUT PRIOR NOTICE.

Drawn by: Ryan Simpson