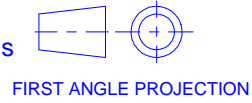


# PUBLICATION P12.089

ISSUE : 1

If this document is printed in hardcopy, it is for information use only and therefore is not subject to updating controls. Always refer to viewer for latest issue.



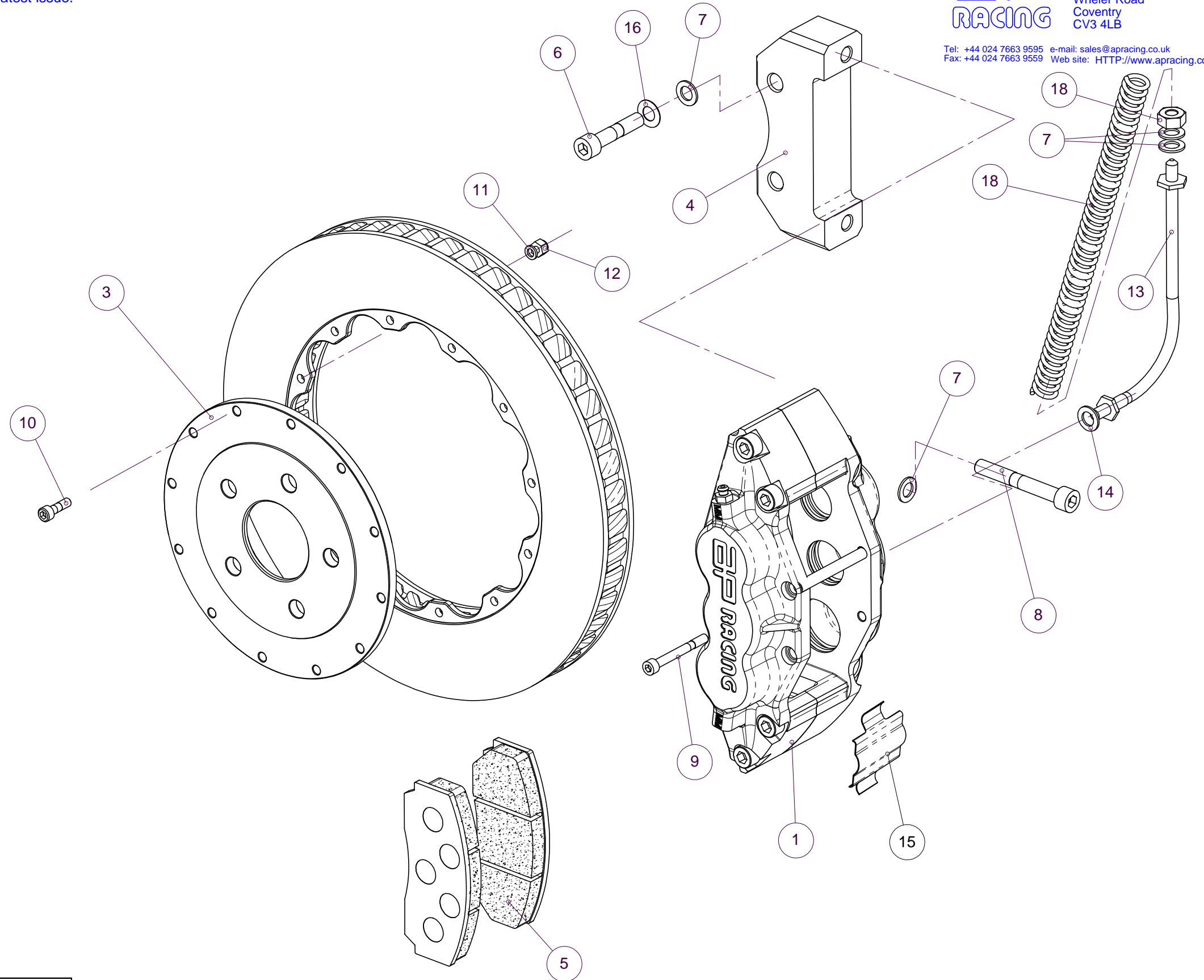
THIS DRAWING IS CONFIDENTIAL AND IS SUPPLIED ON THE EXPRESS CONDITION THAT IT SHALL NOT BE LOANED OR COPIED OR DISCLOSED TO ANY OTHER PERSON OR USED FOR ANY OTHER PURPOSE WITHOUT THE WRITTEN CONSENT OF AP RACING LTD.

**AP RACING** © AP Racing Ltd. 2000  
AP Racing  
Wheler Road  
Coventry  
CV3 4LB

Tel: +44 024 7663 9595 e-mail: sales@ap racing.co.uk  
Fax: +44 024 7663 9559 Web site: HTTP://www.ap racing.com

FORD ESCORT COSWORTH KIT PART NUMBER CP5570-1001		
Ref	Description	QTY
1	Caliper Right Hand	1
	Caliper Left Hand	1
2	Disc Right Hand	1
	Disc Left Hand	1
3	Mounting Bell	2
4	Mounting Bracket	2
5	Pad Set	1
6	Bracket Mtg Bolt	4
7	Washer	12
8	Caliper Mtg Bolt	4
9	Pad Retainer Bolt	2
10	Disc Mtg Bolt	24
11	Washer	24
12	Disc Mtg Nut	24
13	Hose Kit	1
14	Gasket	2
15	Anti-Rattle Clip	2
16	0.5mm Shim	12
17	Nylon Armouring	2
18	Nut	2
19		
20		
21		
22		
23		
24		
25		

Tightening Torques	
Part Ref #	Torque
Bolt Ref 6	TO MANUFACTURERS SPEC
Bolt Ref 8	58NM
Bolt Ref 10	14NM
Hose Fitting Ref 13	25NM
Bolt Ref 9	13NM
Caliper Bleed Screw	17NM



BRAKE DISC WEAR	
NEW	MIN WORN
28.00mm	27.00mm

Comments  
WHEN FITTING REPLACEMENT HOSE (PART N°12), PLACE WASHERS (PART N°7) EITHER SIDE OF CHASSIS HOLE. REMOVE SPLASH SPLATE AND DISCARD LOOP CIRCUIT ON PAD WEAR PIN USING AN OLD PLUG TO EXTINGUISH WARNING LIGHT, AS PADS SUPPLIED ARE NOT FITTED WITH A PAD WEAR INDICATOR.

**PLEASE RETAIN THIS SHEET FOR FUTURE REFERENCE**

THIS IS A PICTORIAL VIEW FOR REFERENCE ONLY. SOME PARTS MAY VARY FROM THOSE SUPPLIED. AP RACING RESERVE THE RIGHT TO CHANGE COMPONENTS WITHOUT PRIOR NOTICE.

DRAWN : astrachan