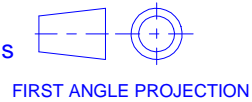


PUBLICATION P12.166 ISSUE :2

If this document is printed in hardcopy, it is for information use only and therefore is not subject to updating controls. Always refer to viewer for latest issue.



THIS DRAWING IS CONFIDENTIAL AND IS SUPPLIED ON THE EXPRESS CONDITION THAT IT SHALL NOT BE LOANED OR COPIED OR DISCLOSED TO ANY OTHER PERSON OR USED FOR ANY OTHER PURPOSE WITHOUT THE WRITTEN CONSENT OF AP RACING LTD.



© AP Racing Ltd. 2004

AP Racing
Wheler Road
Coventry
CV3 4LB

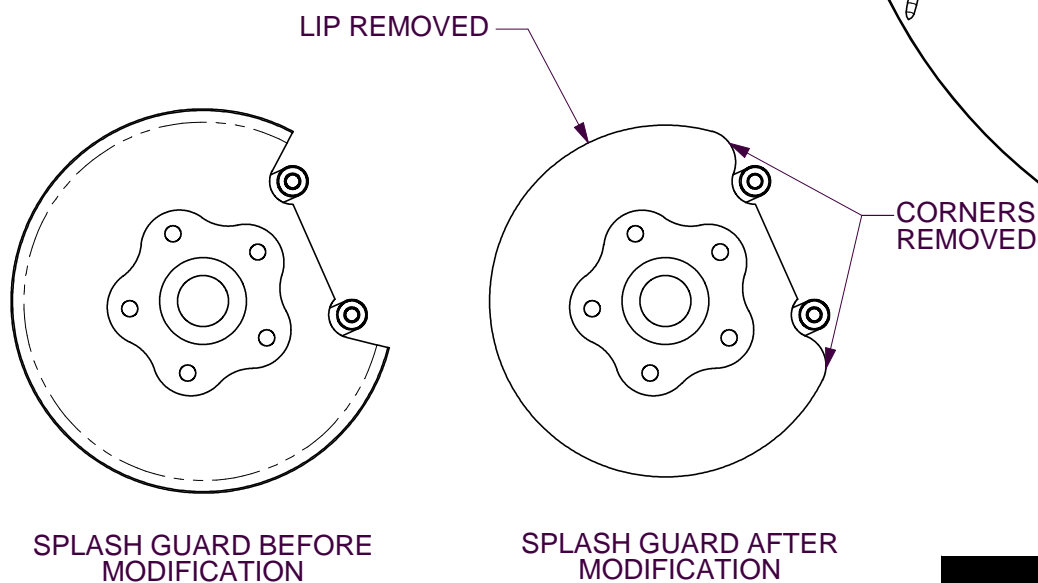
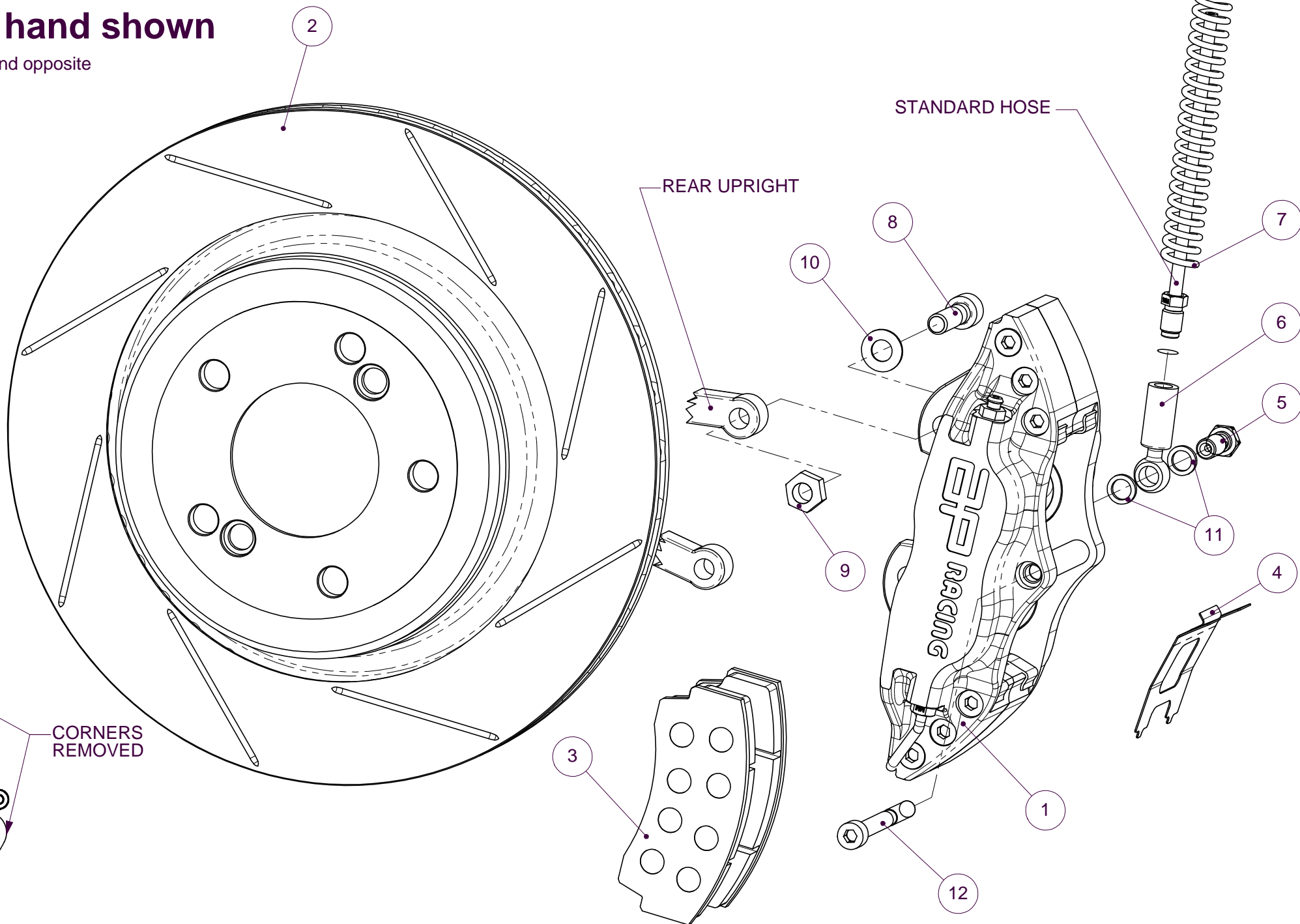
Tel: +44 024 7663 9595 e-mail: sales@ap racing.co.uk
Fax: +44 024 7663 9559 Web site: HTTP://www.ap racing.com

BMW E46 M3 REAR KIT NUMBER CP5144-1004/R2:G8		
Ref	Description	QTY
	Caliper Right Hand	1
1	Caliper Left Hand	1
	Disc Right Hand	1
2	Disc Left Hand	1
3	Pad Set	1
4	Anti-Rattle Clip	2
5	Banjo Bolt	2
6	Banjo	2
7	Nylon Armouring	2
8	Mounting Bolt	4
9	Mounting Nut	4
10	Washer	4
11	Gasket	4
12	Retainer Bolt	2

Tightening Torques	
Part Ref #	Torque
Bolt & Nut Ref 8 & 9	58NM
Banjo to Hose	30NM
Bolt Ref 5	25NM
Caliper Bleed Screw	17NM
Bolt Ref 12	13NM

Left hand shown

Right hand opposite



MODIFY SPLASH GUARD BY REMOVING THE OUTER LIP TO ALLOW CLEARANCE FOR LARGER DISC. CHAMFER THE CORNERS AS SHOWN IN THE DIAGRAM ABOVE TO ALLOW CLEARANCE FOR LARGER CALIPER.

BRAKE DISC WEAR	
NEW	MIN WORN
20.00mm	19.00mm

THIS IS A PICTORIAL VIEW FOR REFERENCE ONLY. SOME PARTS MAY VARY FROM THOSE SUPPLIED. AP RACING RESERVE THE RIGHT TO CHANGE COMPONENTS WITHOUT PRIOR NOTICE

PLEASE RETAIN THIS SHEET FOR FUTURE REFERENCE

DRAWN : CHRIS NURSE