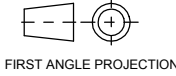


PUBLICATION P12.222

ISSUE: 3

If this document is printed in hardcopy, it is for information use only and therefore is not subject to updating controls. Always refer to viewer for latest issue.



THIS DRAWING IS CONFIDENTIAL AND IS SUPPLIED ON THE EXPRESS CONDITION THAT IT SHALL NOT BE LOANED OR COPIED OR DISCLOSED TO ANY OTHER PERSON OR USED FOR ANY OTHER PURPOSE WITHOUT THE WRITTEN CONSENT OF AP RACING LTD.



AP Racing
Wheler Road
Coventry
CV3 4LB

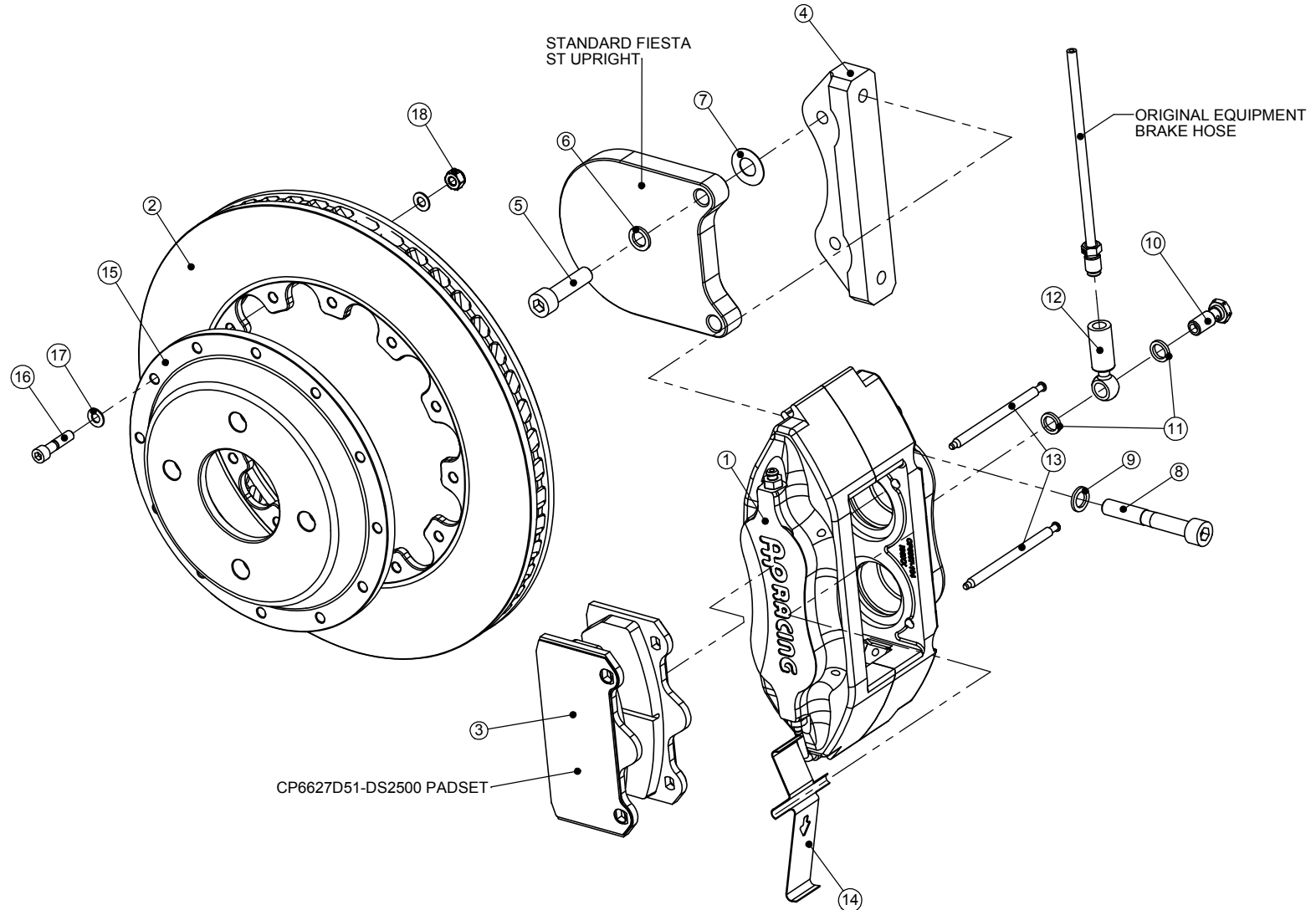
Tel: +44 024 7663 9595
Fax: +44 024 7663 9599
e-mail: sales@apracings.co.uk
Web site: HTTP://www.apracings.com

© AP Racing Ltd. 2005

FORD FIESTA ST FRONT KIT NUMBER CP6637-1001		
Ref	Description	QTY
1	Caliper Right Hand	1
	Caliper Left Hand	1
2	Disc Right Hand	1
	Disc Left Hand	1
3	Pad Set	1
4	Mounting Bracket	2
5	Bracket Mtg Bolt	4
6	Washer	4
7	0.5mm Washer/Shim	12
8	Caliper Mtg Bolt	4
9	Washer	4
10	Banjo Bolt	2
11	Gasket	4
12	Banjo	1
13	Pad Retainer Pin	4
14	Anti-Rattle Clip	2
15	MTG Bell	2
16	Disc MTG Bolt	24
17	Washer	48
18	Disc MTG Nut	24

Tightening Torques	
Part Ref #	Torque
Bolt Ref 5	68NM
Bolt Ref 8	58NM
Banjo Bolt Ref 10	25NM
Caliper Bleed Screw	17NM

BRAKE DISC WEAR	
NEW	MIN WORN
24.00mm	23.00mm



Comments

Check caliper is central over disc, Use 0.5mm shims (Part ref 10) to adjust if required.

PLEASE RETAIN THIS SHEET FOR FUTURE REFERENCE

THIS IS A PICTORIAL VIEW FOR REFERENCE ONLY. SOME PARTS MAY VARY FROM THOSE SUPPLIED. AP RACING RESERVE THE RIGHT TO CHANGE COMPONENTS WITHOUT PRIOR NOTICE.
Drawn: Suzie Wallace