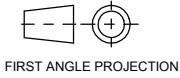


# PUBLICATION P12.229

ISSUE: 2

If this document is printed in hardcopy, it is for information use only and therefore is not subject to updating controls. Always refer to viewer for latest issue.



THIS DRAWING IS CONFIDENTIAL AND IS SUPPLIED ON THE EXPRESS CONDITION THAT IT SHALL NOT BE LOANED OR COPIED OR DISCLOSED TO ANY OTHER PERSON OR USED FOR ANY OTHER PURPOSE WITHOUT THE WRITTEN CONSENT OF AP RACING LTD.



AP Racing  
Wheler Road  
Coventry  
CV3 4LB

Tel: +44 024 7663 9595  
Fax: +44 024 7663 9599  
e-mail: sales@apracings.co.uk  
Web site: HTTP://www.apracings.com

© AP Racing Ltd. 2005

FORD FOCUS ST 2007		
KIT NUMBER CP6628-1004BK/R2		
Ref	DESCRIPTION	QTY
1	MOUNTING BELL	2
2	DISC RIGHT HAND DISC LEFT HAND	1 1
3	ANTI RATTLE CLIP	2
4	CALIPER RIGHT HAND CALIPER LEFT HAND	1 1
5	∅ 12.5 DISC WASHER	48
6	0.25UNF DISC Mtg BOLT	24
7	0.25UNF DISC Mtg NUT	24
8	M10x70 CALIPER Mtg BOLT	4
9	∅ 16 CALIPER WASHER	4
10	∅ 18 BRACKET WASHER	4
11	0.5mm BRACKET SHIM	12
12	M12x36 BRACKET Mtg BOLT	2
13	CALIPER MOUNTING BRACKET	2
14	GASKET	4
15	HOSE KIT	2
16	BANJO BOLT	2
17	NYLON ARMOUR	2
18	PAD RETAINING PIN	4
19	CALIPER PAD SET (4)	1
20	CALIPER PAD SHIM	4

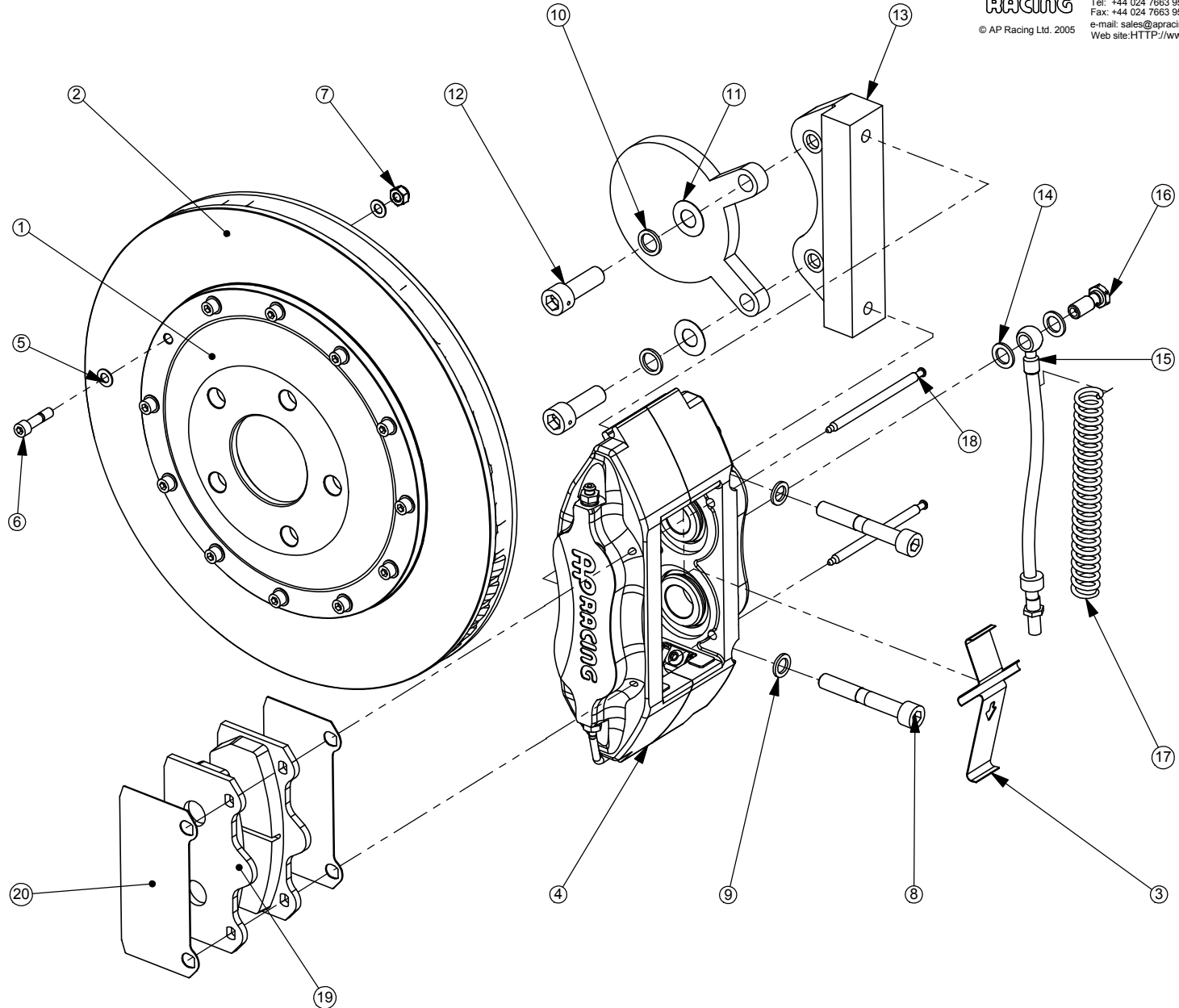
Tightening Torques	
Part Ref #	Torque
Bolt Ref 8	58NM
Bolt Ref 12	68NM
Bolt/Nut Ref 6/7	14NM
Banjo Bolt Ref 16	25NM
Caliper Bleed Screw	17NM

BRAKE DISC WEAR	
NEW	MIN WORN
28.00mm	26.50mm

**NOTE:**  
PLEASE ENSURE SPLASH GAURD IS BENT INBOARD AT TOP AND BOTTOM TO CLEAR APR INNER DISC FACE BY AT LEAST 3mm

### Comments

Check caliper is central over disc, use 0.5mm shims (Part Ref 11) to adjust bracket if required  
Illustration is of right hand assembly



**PLEASE RETAIN THIS SHEET FOR FUTURE REFERENCE**

THIS IS A PICTORIAL VIEW FOR REFERENCE ONLY. SOME PARTS MAY VARY FROM THOSE SUPPLIED. AP RACING RESERVE THE RIGHT TO CHANGE COMPONENTS WITHOUT PRIOR NOTICE.  
Drawn By: Lee Stretch