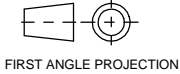


# PUBLICATION P12.301

If this document is printed in hardcopy, it is for information use only and therefore is not subject to updating controls. Always refer to viewer for latest issue.



THIS DRAWING IS CONFIDENTIAL AND IS SUPPLIED ON THE EXPRESS CONDITION THAT IT SHALL NOT BE LOANED OR COPIED OR DISCLOSED TO ANY OTHER PERSON OR USED FOR ANY OTHER PURPOSE WITHOUT THE WRITTEN CONSENT OF AP RACING LTD.



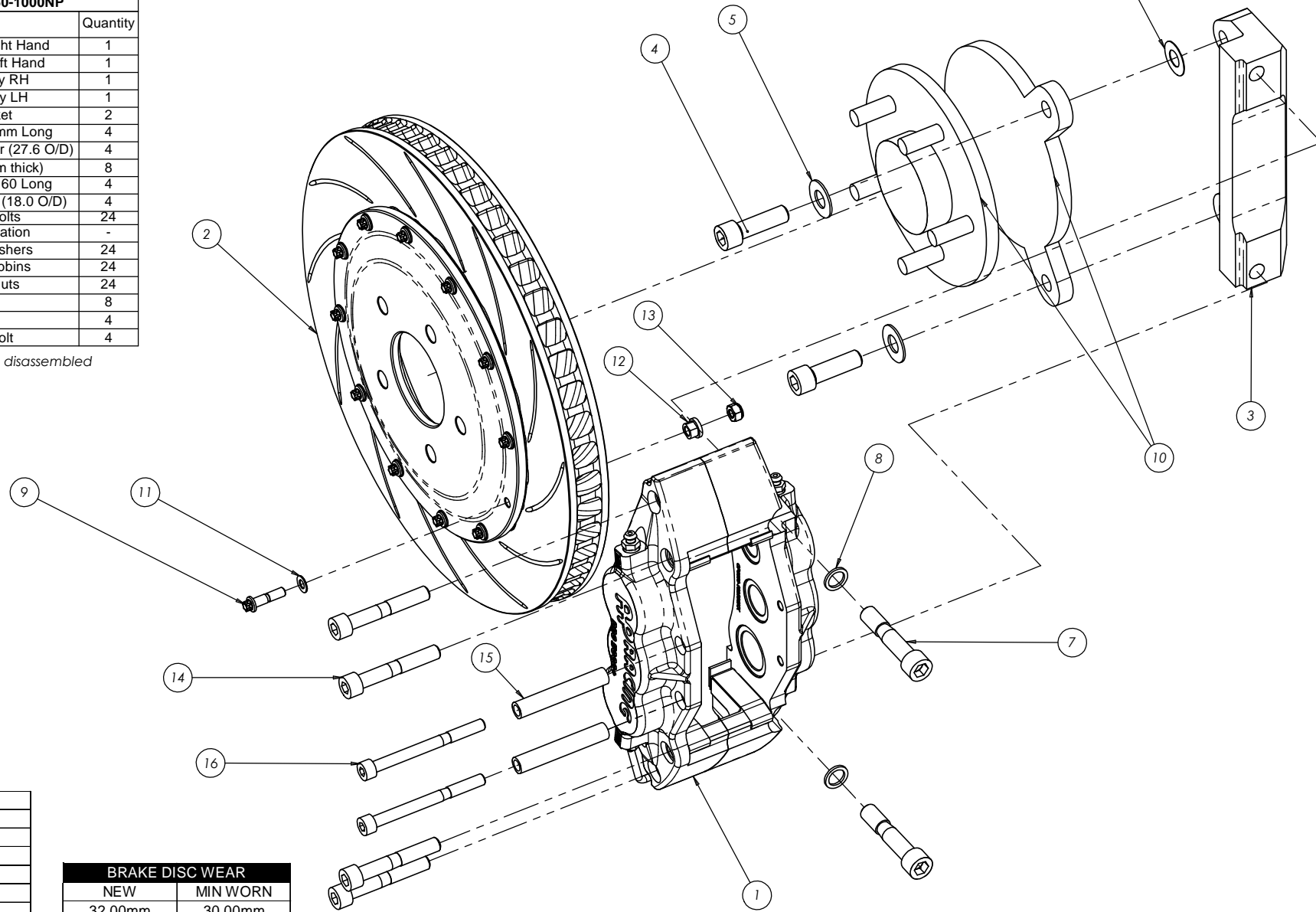
AP Racing  
Wheler Road  
Coventry  
CV3 4LB

Tel: +44 024 7663 9595  
Fax: +44 024 7663 9599  
e-mail: sales@apracings.co.uk  
Web site: HTTP://www.apracings.com

© AP Racing Ltd. 2005

MITSUBISHI EVOLUTION X RACE KIT		
KIT NUMBER CP5060-1000NP		
Ref	Description	Quantity
1	Caliper Assembly Right Hand	1
	Caliper Assembly Left Hand	1
2	Disc/Bell Assembly RH	1
	Disc/Bell Assembly LH	1
3	Mounting Bracket	2
4	Bracket Mtg Bolt - 45mm Long	4
5	Mounting Bracket Washer (27.6 O/D)	4
6	Bracket Shim (0.5mm thick)	8
7	Caliper/Bracket Bolt - 60 Long	4
8	Caliper/Bracket Washer (18.0 O/D)	4
9	Disc Assembly Bolts	24
10	Upright Representation	-
11	Disc Assembly Washers	24
12	Disc Assembly Bobbins	24
13	Disc Assembly Nuts	24
14	Caliper Bolt	8
15	Pad Retainer	4
16	Pad Retainer Bolt	4

Note:- Disc/Bell Assembly shown disassembled for reference only.



Tightening Torques	
Part Ref #	Torque
Bolt Ref 8	68NM
Bolt Ref 5	68NM
Caliper Bleed Screw	17NM
Disc Mtg Bolts	14NM
Pad Retainer Bolts	13NM

BRAKE DISC WEAR	
NEW	MIN WORN
32.00mm	30.00mm

**Comments**

Check caliper is central over disc, use 0.5mm shims (Part Ref 8) to adjust bracket if required, note disc assembly direction arrow on OD of bell  
Illustration is of right hand assembly

**PLEASE RETAIN THIS SHEET FOR FUTURE REFERENCE**

THIS IS A PICTORIAL VIEW FOR REFERENCE ONLY. SOME PARTS MAY VARY FROM THOSE SUPPLIED. AP RACING RESERVE THE RIGHT TO CHANGE COMPONENTS WITHOUT PRIOR NOTICE.

DRAWN - K.EMMANOULIDES  
ISSUE 1. 19/07/11