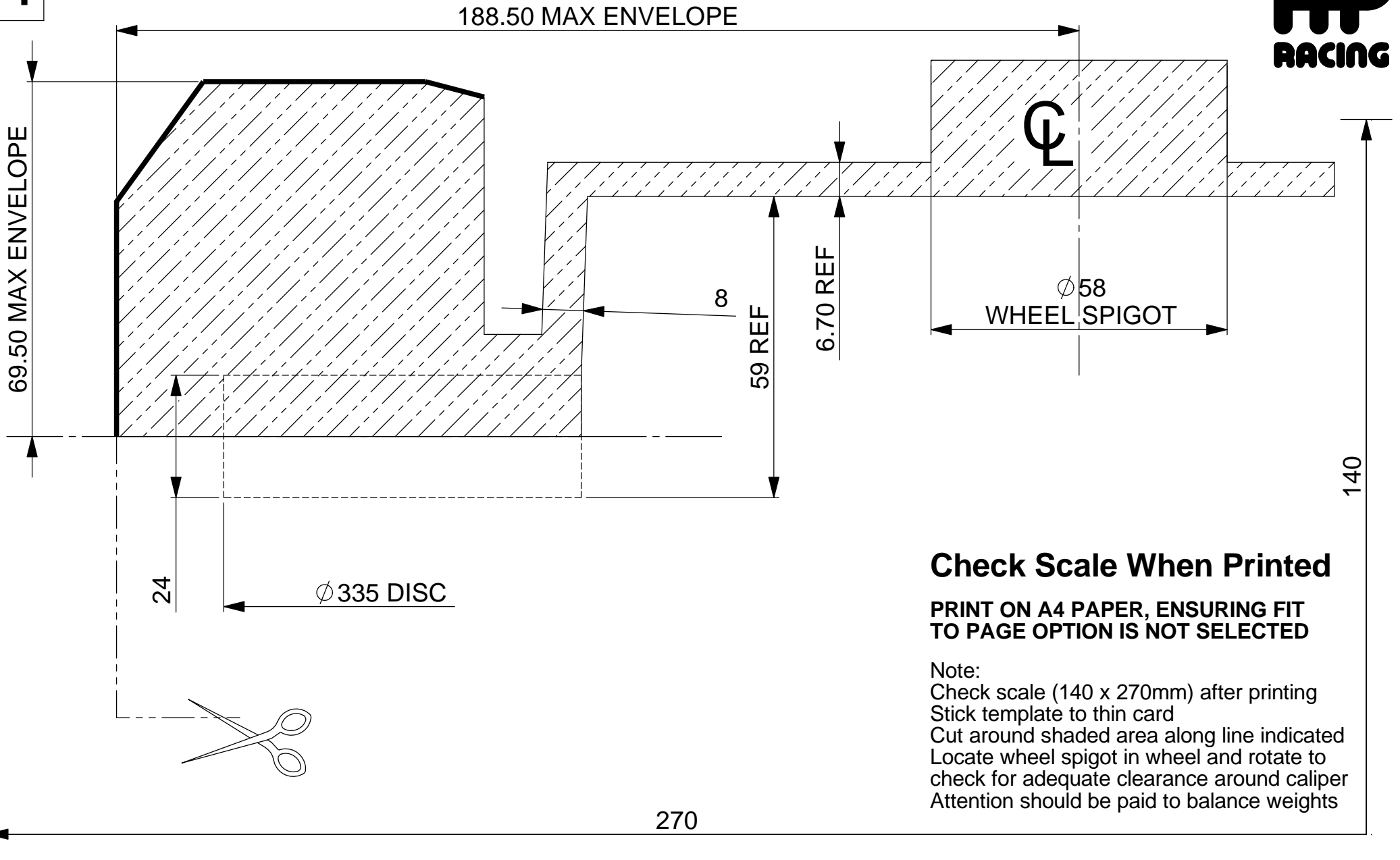


A4 P16.316

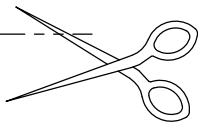


### Check Scale When Printed

**PRINT ON A4 PAPER, ENSURING FIT TO PAGE OPTION IS NOT SELECTED**

Note:

- Check scale (140 x 270mm) after printing
- Stick template to thin card
- Cut around shaded area along line indicated
- Locate wheel spigot in wheel and rotate to check for adequate clearance around caliper
- Attention should be paid to balance weights



**Cut Around Shaded Profile**  
**MIN. WHEEL CLEARANCE = 4.00mm**

AP Racing Ltd.  
Wheler Road  
Coventry  
CV3 4LB

Tel: +44 024 7663 9595  
Fax: +44 024 7663 9559  
web: www.apracing.com  
e-mail: sales@apracing.co.uk

TITLE	SUBARU BRZ REAR KIT INSTALLATION PROFILE
PART NO:	CP7615-1005 KIT