

# A1 INSTALLATION DRAWING

IF THIS DOCUMENT IS PRINTED IN HARDCOPY, IT IS FOR INFORMATION USE ONLY AND THEREFORE IS NOT SUBJECT TO UPDATING CONTROLS. ALWAYS REFER TO SOLIDWORKS VIEWER FOR LATEST ISSUE



THIS DRAWING IS CONFIDENTIAL AND IS SUPPLIED ON THE EXPRESS CONDITION THAT IT SHALL NOT BE LOANED OR COPIED OR DISCLOSED TO ANY OTHER PERSON OR USED FOR ANY OTHER PURPOSE WITHOUT THE WRITTEN CONSENT OF AP RACING LTD.

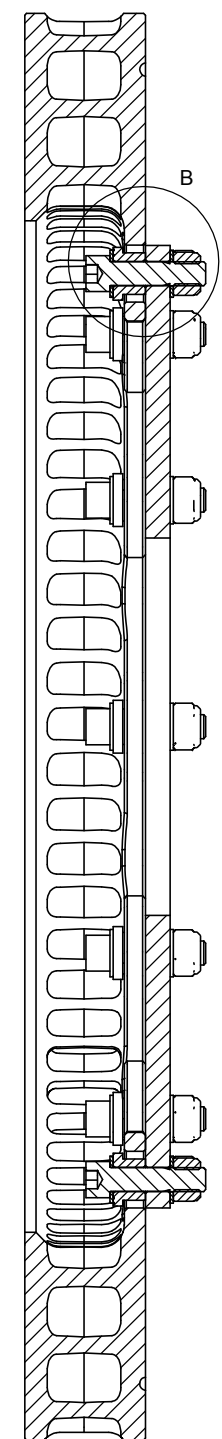


AP Racing  
Wheler Road  
Coventry  
CV3 4LB

Tel: +44 (0) 24 7663 9595  
Fax: +44 (0) 24 7663 9559  
e-mail: engineering@aprac.com  
Web site: http://www.aprac.com

© AP Racing Ltd. 2005

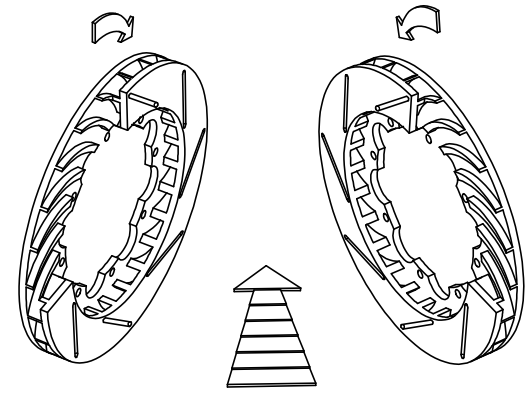
Issue No.	Alterations		Zone	Initials
	Date & No.	Particulars		
1	08/02/06 B4477	FIRST ISSUE		# DRA



DISC MOUNTING PCØ. (VARIOUS)  
SEE INDIVIDUAL DISC CUSTOMER DRAWING  
FOR RECOMMENDED MOUNTING PCØ

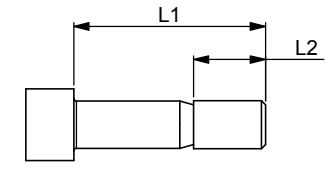
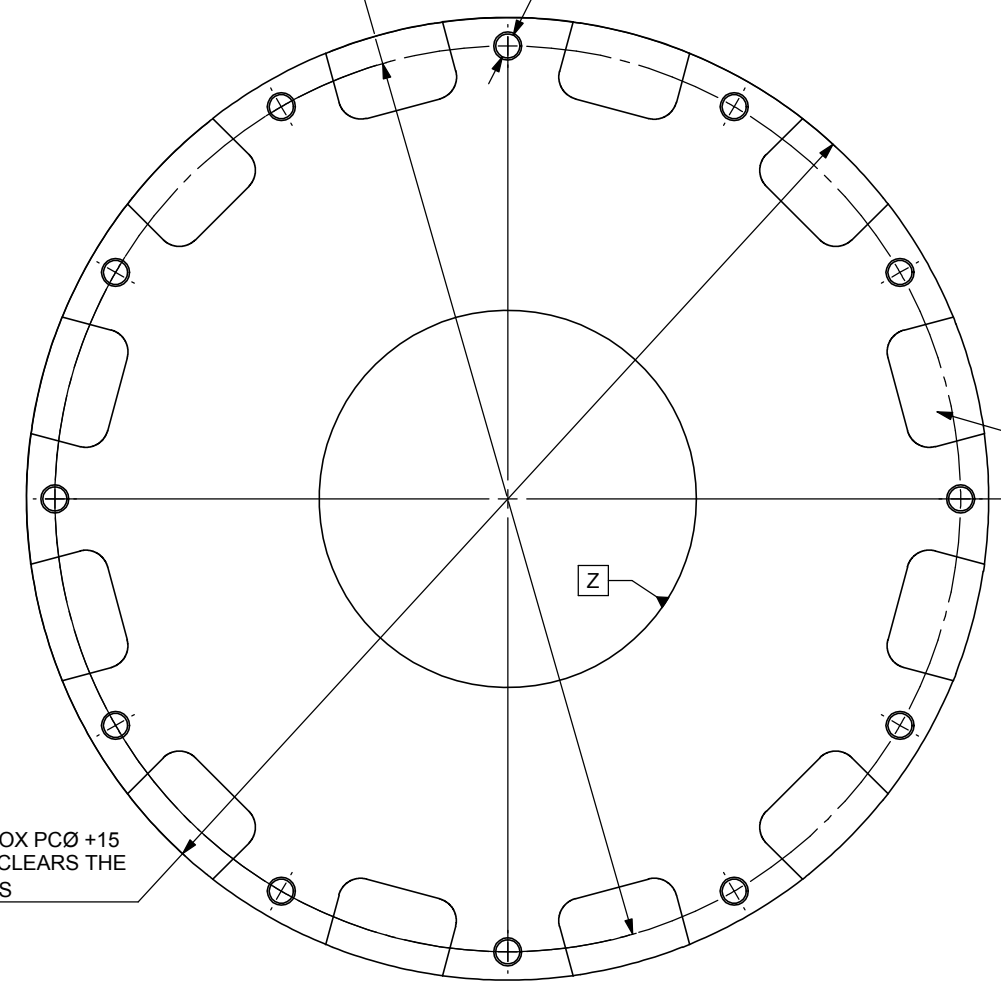
8.0 MAX  
6.50 TYP

'X' - HOLES  $\phi$  6.450 THRU EQUI-SPACED  
 $\phi$  6.400  
( FINAL SIZE, AFTER ANY TREATMENT ).  
CHF. 0.5 x 45° EACH SIDE  
FOR QUANTITY 'X' SEE INDIVIDUAL  
DISC CUSTOMER DRAWING.  
 $\phi$  0.05 Z



IT MAY BE NECESSARY TO ARRANGE CUT-OUTS AS ILLUSTRATED TO ENCOURAGE DISC COOLING ON THE BELL SIDE OF THE DISC. SEE AP RACING CATALOGUE FOR GUIDANCE ON DISC COOLING AND OTHER ADVICE ON DISCS.

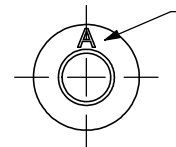
O/DIA APPROX PCØ +15  
ENSURE IT CLEARS THE  
BRAKE PADS



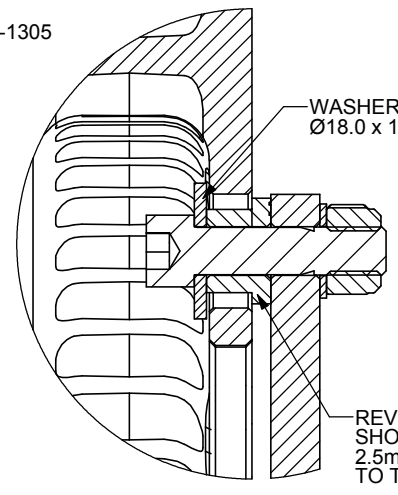
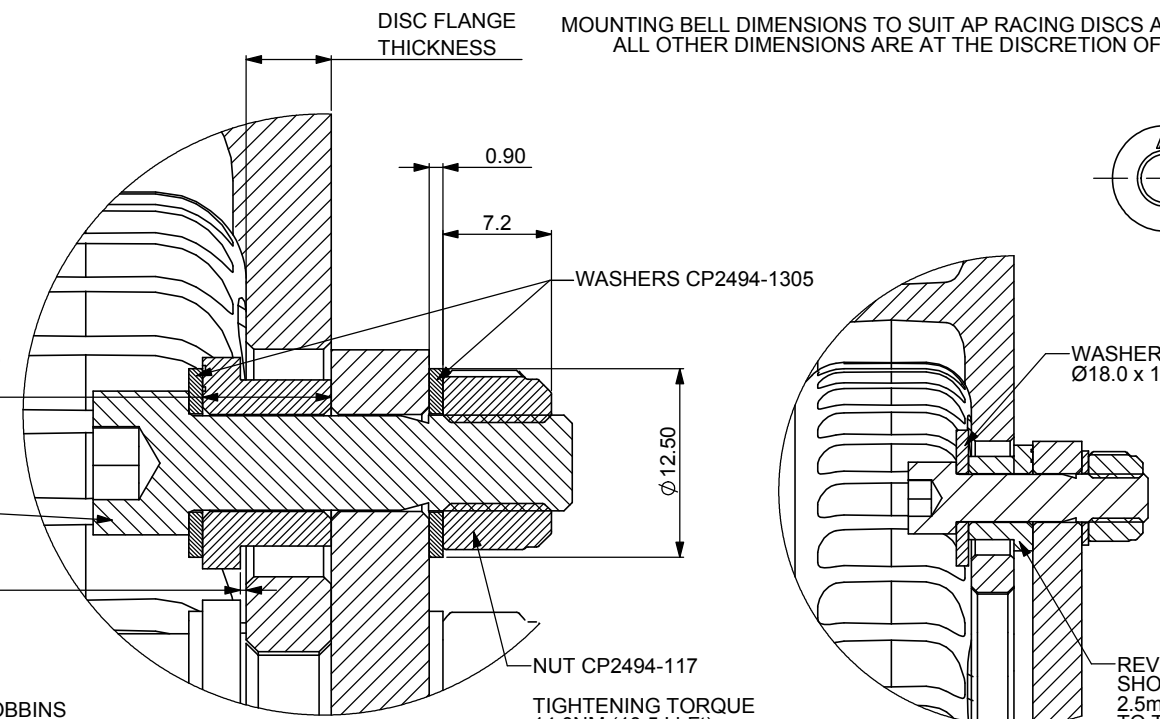
BOLT PT No.	L1 mm	L2 mm
CP2494-116	22.3	9.5
CP2494-718	25.4	9.5
CP2494-331	27.0	15.9

MOUNTING BELL DIMENSIONS TO SUIT AP RACING DISCS AND MOUNTING BOLTS.  
ALL OTHER DIMENSIONS ARE AT THE DISCRETION OF THE CUSTOMER.

NOTE:-  
BOBBINS HAVE A LETTER STAMPED ON THEM THAT CORRESPONDS TO THE LAST LETTER IN THE PART No.



STANDARD AP RACING DISC FLANGE THICKNESSES mm	BOBBIN PART No.	BOBBIN LENGTH L3 mm	NOMINAL DISC FLOAT mm
4.35 / 4.30	CP2494-595MA	7.22	0.4
4.85 / 4.80	CP2494-593MB	7.72	0.4
5.05 / 5.00	CP2494-592MC	7.92	0.4
5.55 / 5.50	CP2494-591MH	8.42	0.4
5.65 / 5.60	CP2494-1341MD	8.32	0.2
	CP2494-589MJ	8.52	0.4
6.35 / 6.30	CP2494-626ML	8.82	0.7
	CP2494-1342MM	9.02	0.2
	CP2494-504MP	9.22	0.4



NORMAL RECOMMENDED ARRANGEMENT

ALTERNATIVE ARRANGEMENT REVERSE BOBBIN

UNLESS OTHERWISE STATED ALL DIMENSIONS ARE IN mm

SCALE 2:1	SHEET 1 OF 1
DRAWN	D.ARROWSMITH
APPROVED	
DERIVED FROM	
TITLE GENERIC INSTALLATION DRG ( FLOAT IN DISC TYPE )	
DRG NO.	CP2494-2000CD