

A1 INSTALLATION DRAWING

IF THIS DOCUMENT IS PRINTED IN HARDCOPY, IT IS FOR INFORMATION USE ONLY AND THEREFORE IS NOT SUBJECT TO UPDATING CONTROLS. ALWAYS REFER TO SOLIDWORKS VIEWER FOR LATEST ISSUE

FIRST ANGLE PROJECTION

THIS DRAWING IS CONFIDENTIAL AND IS SUPPLIED ON THE EXPRESS CONDITION THAT IT SHALL NOT BE LOANED OR COPIED OR DISCLOSED TO ANY OTHER PERSON OR USED FOR ANY OTHER PURPOSE WITHOUT THE WRITTEN CONSENT OF AP RACING LTD.

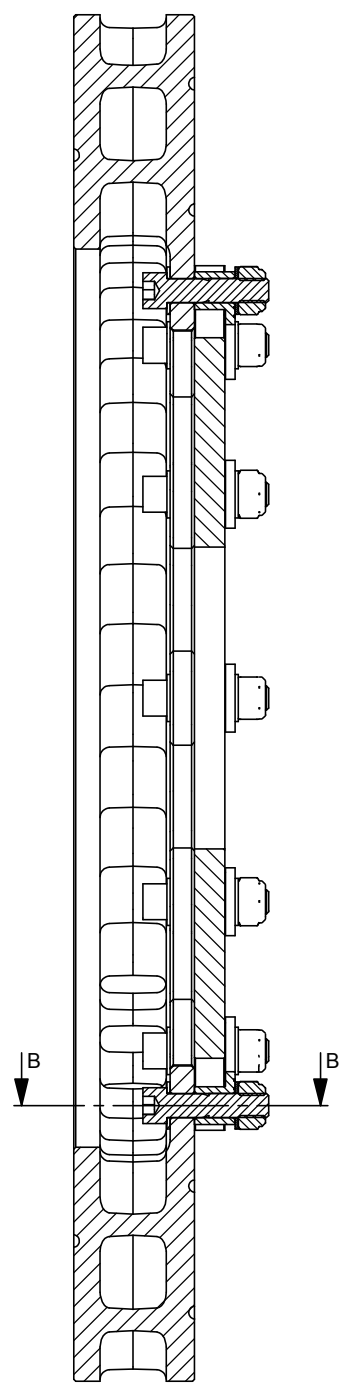


AP Racing
Wheler Road
Coventry
CV3 4LB

Tel: +44 (0) 24 7663 9595
Fax: +44 (0) 24 7663 9559
e-mail: engineering@apracing.co.uk
Web site: http://www.apracing.com

© AP Racing Ltd. 2005

Issue No.	Alterations		Zone	Initials
	Date & No.	Particulars		
1	20/03/06 B4477	FIRST ISSUE		# DRA



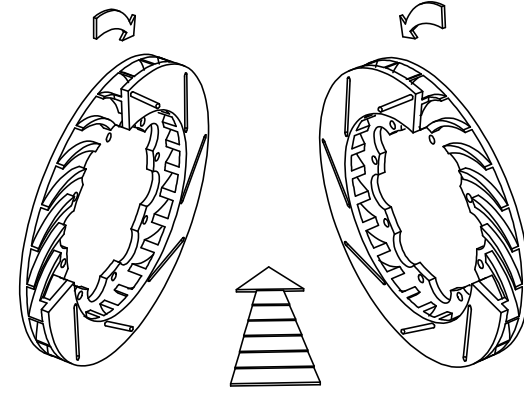
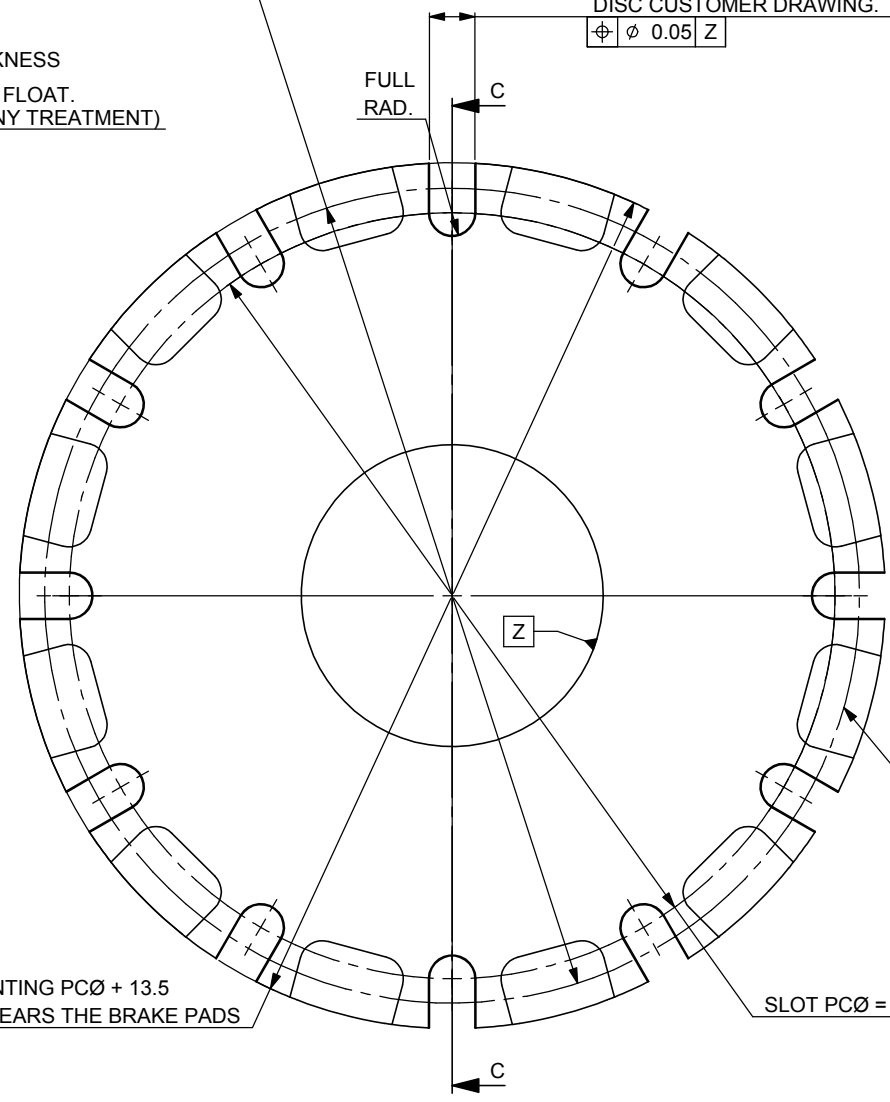
SECTION A-A
SCALE 1 : 1

DISC MOUNTING PCØ (VARIOUS).
SEE INDIVIDUAL DISC CUSTOMER DRAWING
FOR RECOMMENDED MOUNTING PCØ

8.05 REQUIRED THICKNESS
8.00 FOR RECOMMENDED FLOAT.
(FINAL SIZE AFTER ANY TREATMENT)

'X' SLOTS 12.06 THRU EQUI-SPACED
12.02
(FINAL SIZE, AFTER ANY TREATMENT.)
CHF. 0.50 / 0.25 EACH SIDE
FOR QUANTITY 'X' SEE INDIVIDUAL
DISC CUSTOMER DRAWING.

$\pm \phi 0.05 Z$

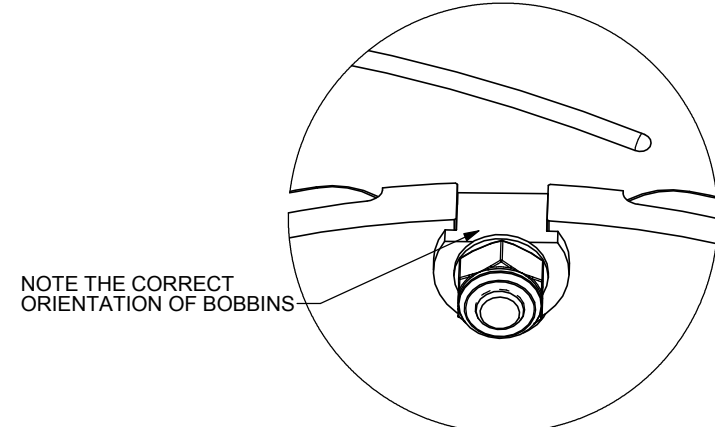


IT MAY BE NECESSARY TO ARRANGE CUT-OUTS
AS ILLUSTRATED TO ENCOURAGE DISC COOLING
ON THE BELL SIDE OF THE DISC.
SEE AP RACING CATALOGUE FOR GUIDANCE ON
DISC COOLING AND OTHER ADVICE ON DISCS.

O/DIA = MOUNTING PCØ + 13.5
ENSURE IT CLEARS THE BRAKE PADS

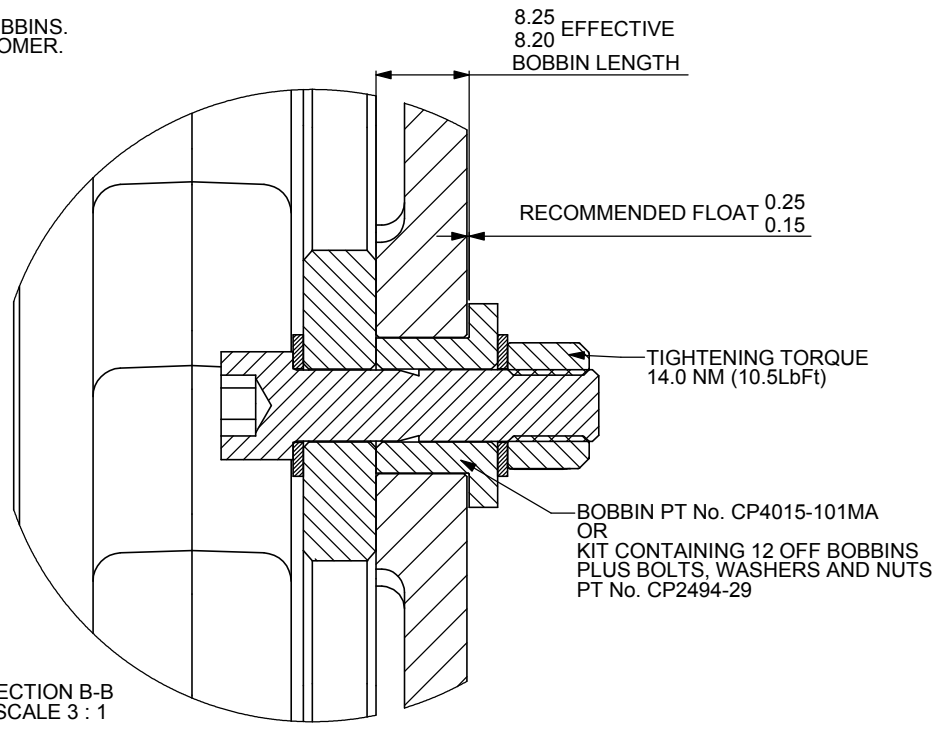
SLOT PCØ = MOUNTING PCØ - 13.0

MOUNTING BELL DIMENSIONS TO SUIT AP RACING DISCS AND BOBBINS.
ALL OTHER DIMENSIONS ARE AT THE DISCRETION OF THE CUSTOMER.



NOTE THE CORRECT
ORIENTATION OF BOBBINS

THE 'FLOAT IN THE BELL' SYSTEM HAS THE ADVANTAGE
OF BEING USED WITH STANDARD BOLTED DISCS.
FLOAT IS CONTROLLED BY THE THICKNESS OF THE BELL.
DURING USE SOME WEAR OF THE BELL INEVITABLY
OCCURS, WHICH TENDS TO INCREASE FLOAT AND
REQUIRES MORE FREQUENT BELL REPLACEMENT THAN
THE FLOAT IN THE DISC SYSTEM.



SECTION B-B
SCALE 3 : 1

8.25 EFFECTIVE
8.20 BOBBIN LENGTH

RECOMMENDED FLOAT 0.25
0.15

TIGHTENING TORQUE
14.0 NM (10.5LbFt)

BOBBIN PT No. CP4015-101MA
OR
KIT CONTAINING 12 OFF BOBBINS
PLUS BOLTS, WASHERS AND NUTS
PT No. CP2494-29

UNLESS OTHERWISE STATED ALL DIMENSIONS ARE IN mm

SCALE 2:1 SHEET 1 OF 1

DRAWN D.ARROWSMITH

APPROVED

DERIVED FROM

TITLE
GENERIC INSTALLATION DRG
(FLOAT IN THE BELL TYPE)

DRG NO. CP2494-2020CD