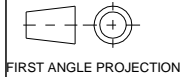


A2 INSTALLATION DRAWING

If this document is printed in hardcopy, it is for information use only and therefore is not subject to updating controls. Always refer to viewer for latest issue.



THIS DRAWING IS CONFIDENTIAL AND IS SUPPLIED ON THE EXPRESS CONDITION THAT IT SHALL NOT BE LOANED OR COPIED OR DISCLOSED TO ANY OTHER PERSON OR USED FOR ANY OTHER PURPOSE WITHOUT THE WRITTEN CONSENT OF AP RACING LTD.

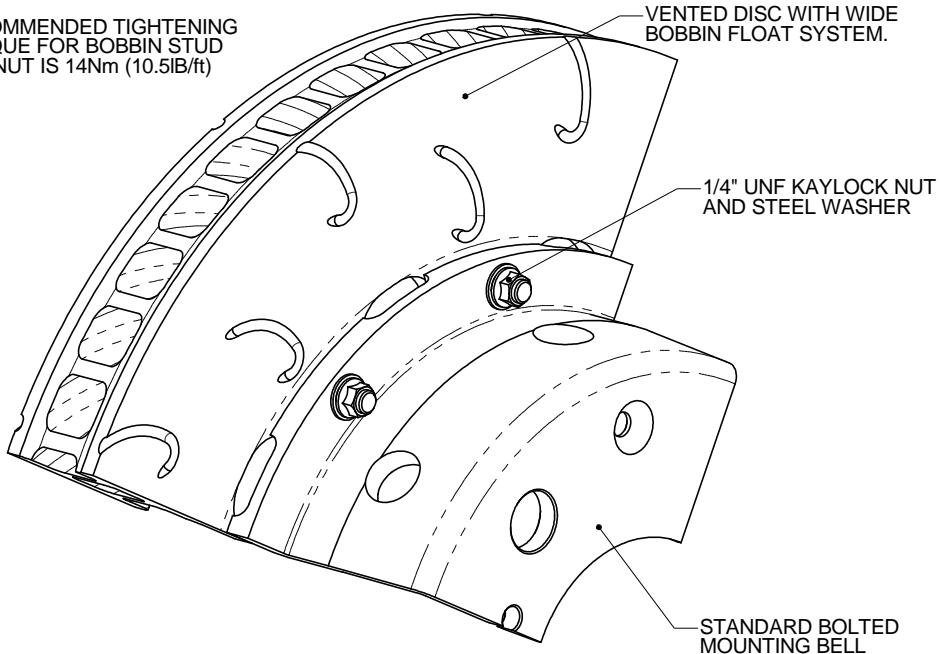


AP Racing
Wheler Road
Coventry
CV3 4LB

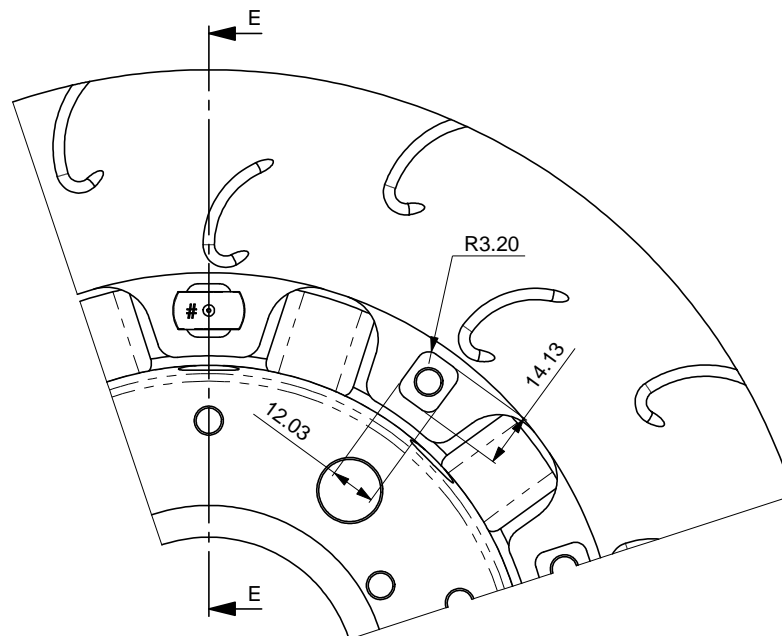
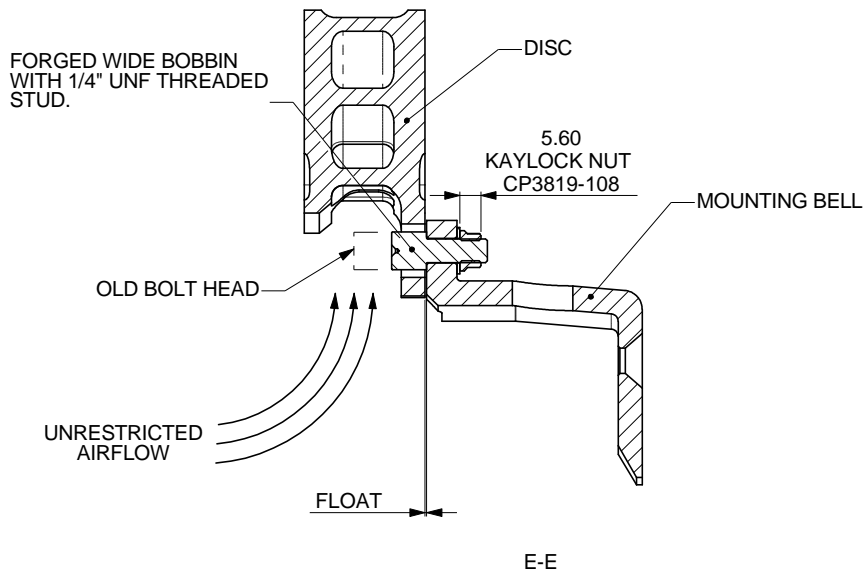
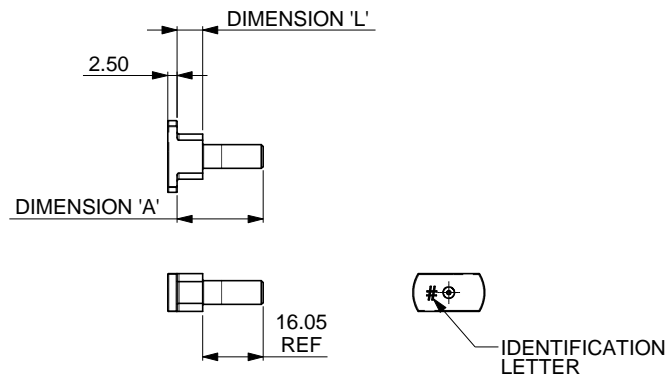
Tel: +44 024 7663 9595
Fax: +44 024 7663 9559
e-mail: sales@apracing.co.uk
Web site: http://www.apracing.com

© AP Racing Ltd. 2005

RECOMMENDED TIGHTENING TORQUE FOR BOBBIN STUD AND NUT IS 14Nm (10.5lB/ft)



AVAILABLE BOBBINS					
PART NUMBER	IDENTIFICATION LETTER	DIMENSION 'A'	DIMENSION 'L'	DISC FLANGE THICKNESS	EQUIVALENT CP4015 PART
CP4135-102FC	C	21.80/21.20	5.50/5.40	5.05/5.00	CP4015-125MC
CP4135-104FD	D	22.20/21.60	5.90/5.80	5.45/5.40	CP4015-126MD
CP4135-103FE	E	22.00/21.40	5.70/5.60	5.25/5.20	CP4015-142ME
CP4135-105FM	M	22.90/22.30	6.60/6.50	6.15/6.10	CP4015-130MM
CP4135-106FP	P	23.10/22.50	6.80/6.70	6.35/6.30	CP4015-112MP
CP4135-107FR	R	23.60/23.00	7.30/7.20	6.85/6.80	CP4015-154MR
CP4135-108FS	S	24.30/23.70	8.00/7.90	7.55/7.50	CP4015-140MS
CP4135-109FQ	Q	23.45/22.85	7.15/7.05	6.85/6.80	-



IMPROVED AIRFLOW THROUGH DISC WITH FORGED BOBBIN COMPARED TO OLD STYLE BOLTED BOBBIN.

Issue No.	Date & No.	Alterations		Zone	Initials
		Particulars			
1	B5896 16/05/11	FIRST ISSUE			SAT
2	B5896 27/05/11	UPDATED TO SHOW KAYLOCK NUT			SAT
3	17/12/13	DIMENSION 'L' LEADER LINE ADJUSTED TO SHOULDER		8F	SAT
4	01/06/15	DIMENSION 'A' LEADER LINE ADJUSTED TO SHOULDER FLANGE THICKNESS ADDED STUD REF LENGTH ADDED		8E	SAT
5	04/12/15 B7457	CP4135-109FQ ADDED		7G	DW
6	RAC22175 14/03/16	DIMENSION 'L' & DIMENSION 'A' LEADER LINES DISPLAYED INCORRECTLY. LINES PUT BACK TO SHOULDER. CP4135-109FQ DIM N 23.45/22.85 WAS SHOWN AS 23.45/24.05		8F 7E 8G	SAT

SCALE 1:1	SHEET 1 OF 1
DRAWN Steve Thomas	
APPROVED	
DERIVED FROM	
TITLE FORGED WIDE BOBBIN SYSTEM CUSTOMER DRAWING	
DRG NO. CP4135-1CD	