

# A3 INSTALLATION DRAWING

If this document is printed in hardcopy, it is for information only and therefore is not subject to updating controls. Always refer to viewer for latest issue



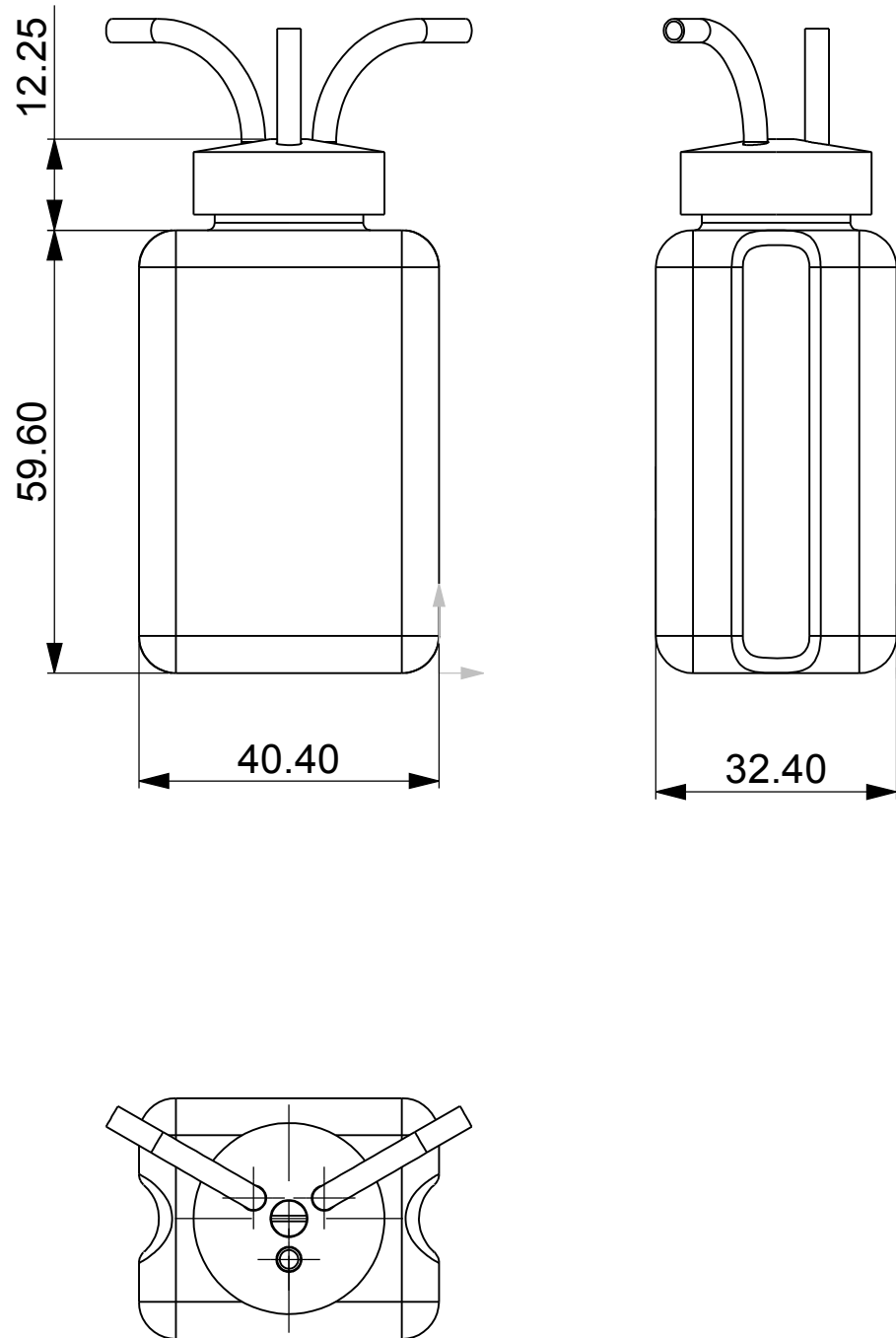
THIS DRAWING IS CONFIDENTIAL AND IS SUPPLIED ON THE EXPRESS CONDITION THAT IT SHALL NOT BE LOANED OR COPIED OR DISCLOSED TO ANY OTHER PERSON OR USED FOR ANY OTHER PURPOSE WITHOUT THE WRITTEN CONSENT OF AP RACING LTD.



AP Racing  
Wheler Road  
Coventry  
CV3 4LB  
Tel: +44 024 7663 9595  
Fax: +44 024 7663 9559  
e-mail: [engineering@ap racing.co.uk](mailto:engineering@ap racing.co.uk)  
web-site: [HTTP://www.ap racing.com](http://www.ap racing.com)

© AP Racing Ltd. 2005

## TANK DIMENSIONS



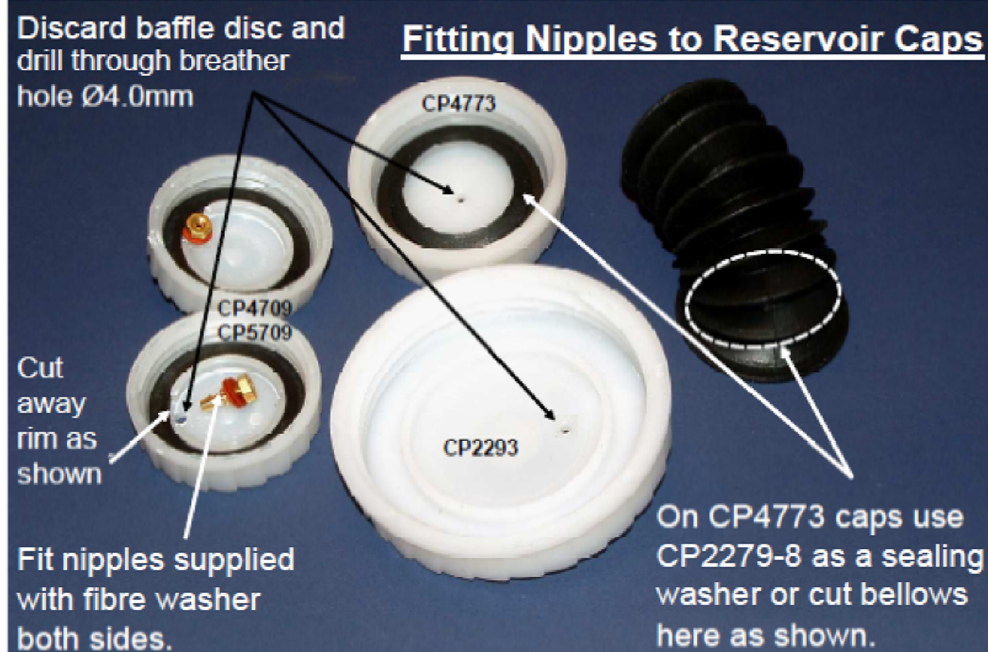
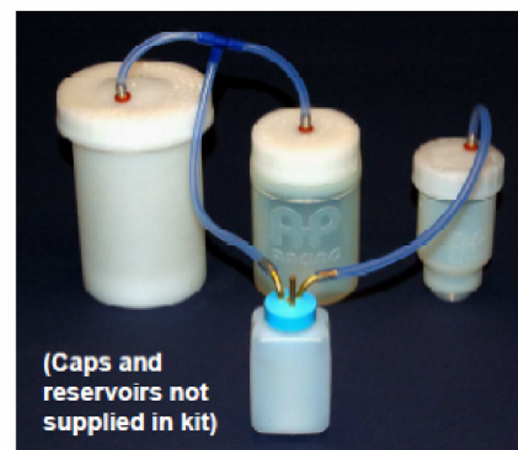
The Science of Friction

## CP4709-25 Catch Tank Kit Fitting Instructions

CP4709-25 catch Tank is suitable for all AP Racing Reservoirs. Please follow instructions below.

- 1) Discard baffle disc if fitted.
- 2) open breather hole to  $\varnothing 4\text{mm}$ .
- 3) Cut-away baffle retaining rim if required. (CP4709 & CP5709 reservoirs)
- 4) Fit nipple supplied with fibre washer both sides.
- 5) For CP4773 reservoir caps use CP2279-8 as a sealing washer or cut bellows as shown below

**Note:** Cable ties and mounting blocks (not shown) supplied for bulkhead fixing of catch tank.



AP Racing  
Wheler Road, Coventry, CV3 4LB, UK  
Tel: +44 (0)24 76639595 Fax: +44 (0)24 76639559  
Web: [www.ap racing.co.uk](http://www.ap racing.co.uk) E-mail: [sales@ap racing.co.uk](mailto:sales@ap racing.co.uk)  
Publication Ref: P14.241 Iss 1 / Mar 09.

Issue No.	Alterations		Zone	Initials
	Date & No.	Particulars		
1	26/03/09 B5414	FIRST ISSUE		SAT

SCALE 1:1		SHEET 1 OF 1	
DRAWN	Steve Thomas		
APPROVED			
DERIVED FROM			
TITLE CATCH TANK			
Drg No.	CP4709-25		